

# CORNING

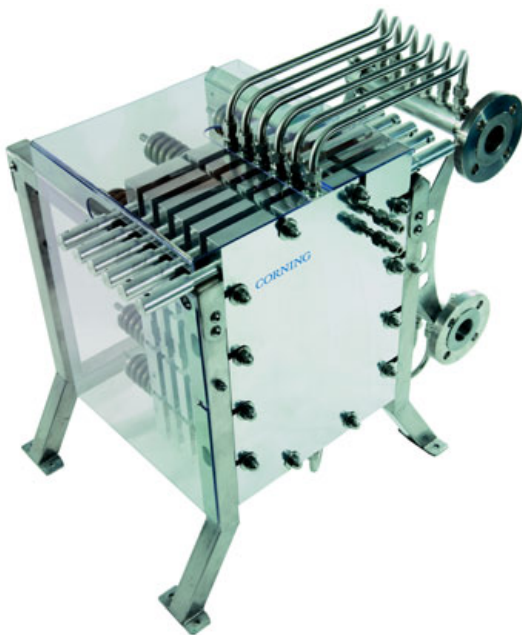
The future flows through  
Corning® Advanced-Flow™ reactors

## Corning® Advanced-Flow™ G4 Ceramic Reactor

Provides high throughput capability and cost-competitive production

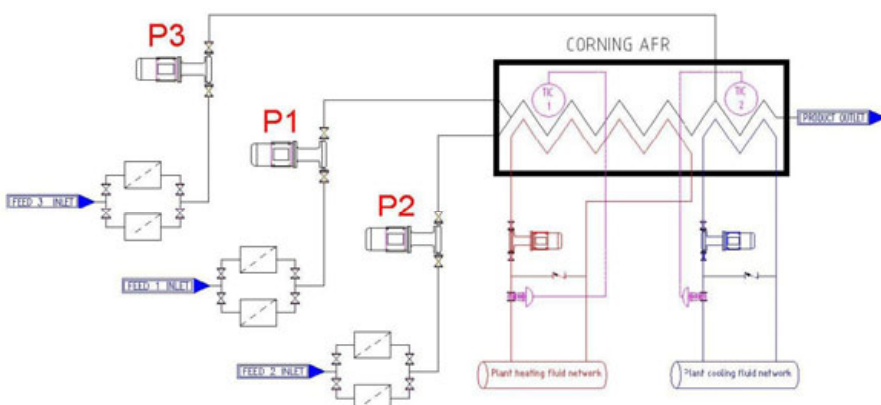
Corning is now offering a ceramic Advanced-Flow™ reactor that enables very high flow throughput and outstanding thermal heat transfer performance. This is made possible through the superior thermal conductivity of the ceramic in combination with the unique design qualities of the Advanced-Flow™ reactor.

From the combined expertise of Corning and Mersen/Boostec, this ceramic reactor makes simple, high quality, and cost effective continuous-flow chemical processing possible.



### Features

- Large internal volume
- High flexibility
- Metal-free reaction paths
- Scalability: throughput factor increase of > 30 seamless from G1 to G4
- Processing capability up to 300 kg/h



Integration of Corning®  
Advanced-Flow™ G4 Ceramic  
Reactor in Production Plant

## Reactor Elements

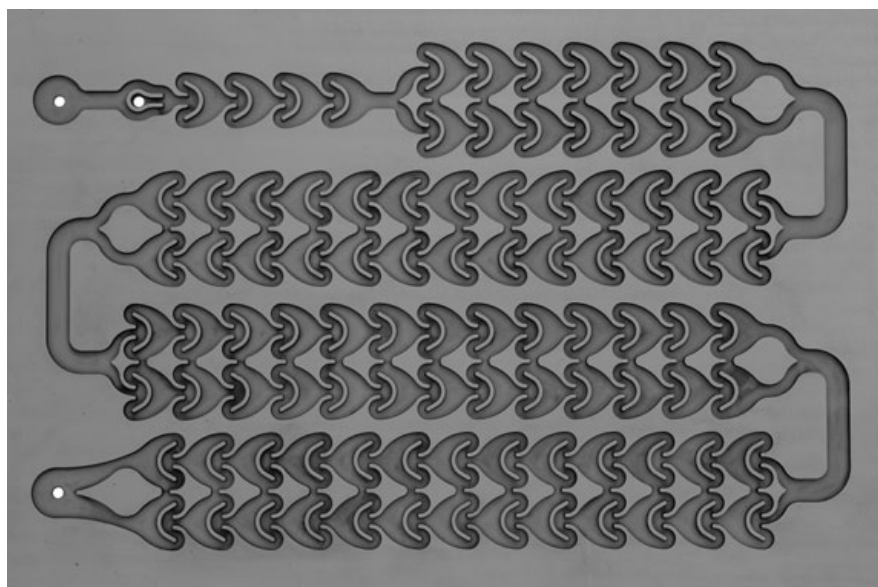
The G4 reactor comprises sintered ceramic fluidic modules, perfluoro-elastomer gaskets, and a full stainless steel frame, all fully compatible with the chemical production environment.

## Boundary Conditions

Operating Range	Process Path	Heat Exchange Path
Temperature ( °C )	-60 to 200	-60 to 200
Pressure ( barg )	Up to 18	Up to 6

## Various Fluidic Module Designs Available

Design concepts are the same as those in Advanced-Flow G1 to G3 Reactors



### To request information:

#### EMEA and NSA

Corning S.A.S.  
Corning European Technology Center  
7bis avenue de Valvins  
F-77210 Avon, France

t + 33 1 64 69 71 07  
f + 33 1 64 69 70 59  
reactors@corning.com

#### China

Corning China (Shanghai) RHQ  
No 358, Lu Qiao Road, Jinqiao  
Export Processing Zone, Pudong,  
Shanghai 201206, China

+ 86 021 22152888\* 1408  
+ 86 021 62152988  
reactor.asia@corning.com

#### India

Corning Technologies India Pvt. Ltd.  
2nd Floor, DLF Building 9B  
DLF Cyber City Phase III  
Gurgaon, Haryana 122002, India

t + 91 124 4604000  
f + 91 124 4604099  
reactor.asia@corning.com