

related literature |

To locate this instruction in other languages, visit www.corning.com/opcomm/nafta/en/index.aspx and search for 003-959.

003-948	Centrix System Housing Installation
003-950	Centrix System Frame Installation
003-960	Centrix System Jumper Routing Guidelines

1. General

This document describes the recommended procedure for installing splitters or CWDM MUX/DEMUX cassettes into a Centrix System housing. This procedure assumes that the housing assembly has already been installed into the frame per the instructions provided with the housing.

2. Install Splitter or CWDM Cassettes

Step 1: Determine the location for installation of the cassette.

Step 2: Slide the cassette into the slot as shown in Figure 1.

Step 3: Refer to the designation label attached to the handle to verify you are installing the appropriate cassette for your application (Figure 2).

NOTE: Label will vary depending on the configuration.

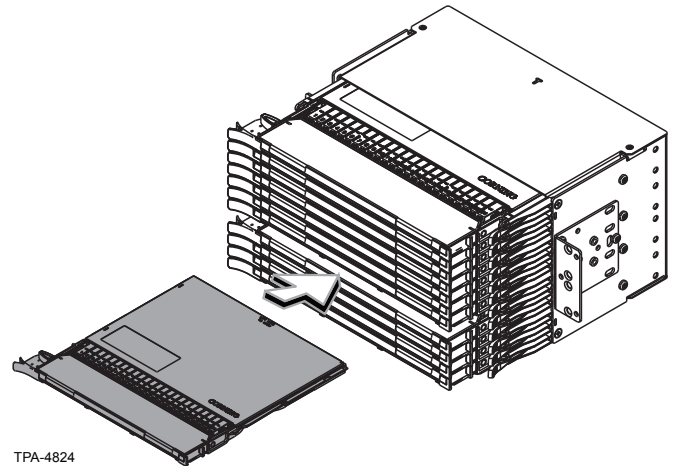
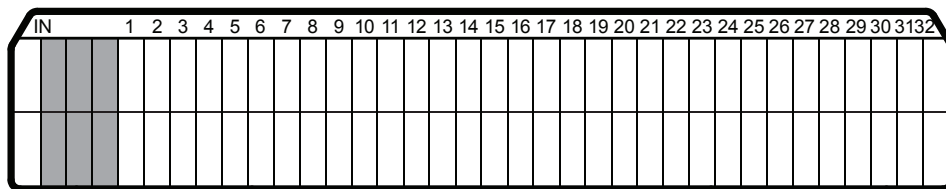
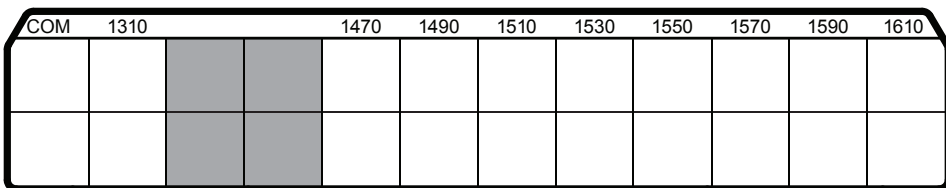


Figure 1



Example of a 1 x 32 PON splitter port configuration label



Example of an 8-channel WDM port configuration label

TPA-4698

Figure 2

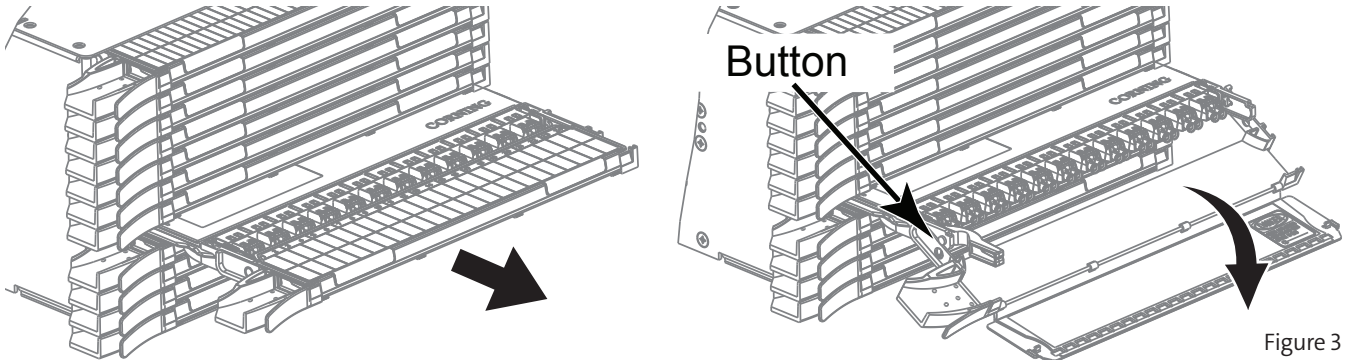
3. Connect Jumpers to Splitter/CWDM Cassettes



WARNING: Never look directly into the end of a fiber that may be carrying laser light. Laser light can be invisible and can damage your eyes. Viewing it directly does not cause pain. The iris of the eye will not close involuntarily as when viewing a bright light. Consequently, serious damage to the retina of the eye is possible. Should accidental eye exposure to laser light be suspected, arrange for an eye examination immediately.

Step 1: Press latch on the right side of the cassette. Pull the cassette out to the detent position (Figure 3).

Step 2: Press buttons on each side of the cassette and lower the handle.



Step 3: Remove dust caps and clean adapters and connectors per standard company practices.

Step 4: Refer to the designation label (Figure 2) on the handle of the cassette for the port designations to determine where your jumpers should be connected.

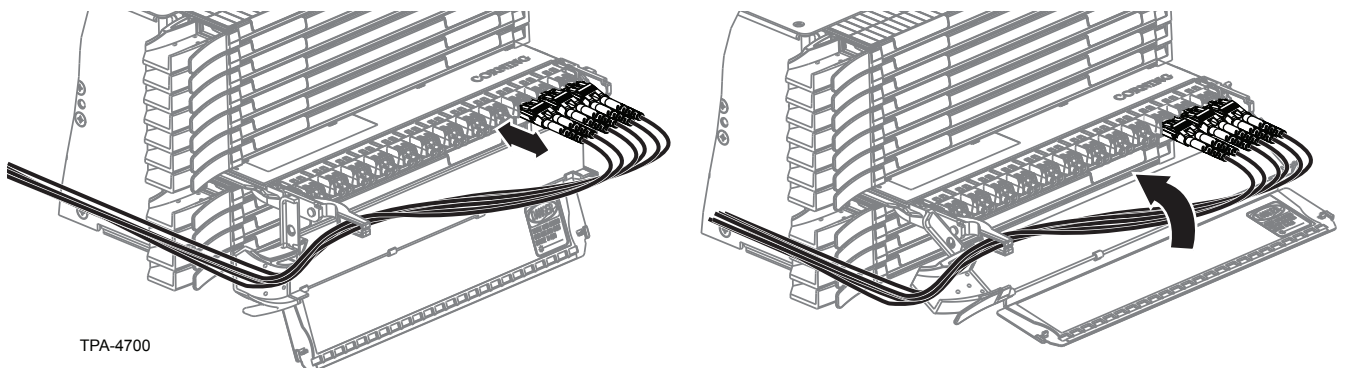
- Connect the input or common port jumper to the port labeled “IN” or “COM.”
- Connect the remaining jumpers to the appropriate port as shown on the designation label.

Step 5: Connect jumpers (Figure 4) as required.

Step 6: Raise handle. Dress all jumper cords to the left side and through the jumper retainer clip shown in Figure 4 before rotating the drop handle up and closing the cover.

Step 7: Push cassette back into the housing and dress jumper cords in frame as described in the installation instruction provided with the housing.

IMPORTANT: Guide fibers while inserting cassette to avoid pinching fibers.



Corning Optical Communications LLC • PO Box 489 • Hickory, NC 28603-0489 USA
800-743-2675 • FAX 828-325-5060 • International +1-828-901-5000 • www.corning.com/opcomm

Corning Optical Communications reserves the right to improve, enhance, and modify the features and specifications of Corning Optical Communications products without prior notification. A complete listing of the trademarks of Corning Optical Communications is available at www.corning.com/opcomm/trademarks. All other trademarks are the properties of their respective owners. Corning Optical Communications is ISO 9001 certified. © 2014, 2017 Corning Optical Communications. All rights reserved. Published in Mexico.