

CORNING

Centrix™ System Patch Panel Cassette

P/N 003-1017-AEN
Issue 2

related literature | Search www.corning.com/opcomm. Click on “Resources.”

003-948

Instruction, Centrix™ System Housing Installation

1. General

This document describes the installation of the Centrix™ System patch panel cassette into both rear- and front-access Centrix System frames, 19-in racks, and 23-in frames. The 4U housing is shown in this instruction, but the procedure applies to Centrix System housings of all sizes (1U, 2U, and 4U).

It is assumed that the Centrix housing has already been installed into the rack/frame according to the instructions provided with the housing.

2. Carton Contents

- Patch panel cassette
- Right-hand jumper routing waterfall and retainer clip kit (P/N CTX-KIT-RT-DH)

3. Tools and Materials

- (Optional) Strain-relief bracket (P/N CTX-KIT-SR-SA)

4. Installation of Rear-Access Cassettes into Rear-Access Frame

Rear-access cassettes can be installed into Centrix rear-access frames, 19-in racks, and 23-in frames.

Step 1: Take note of the locations etched into the cover for the jumper inputs (Figure 1). Open the cover.

Step 2: Feed the input jumpers into the cutouts in the back of the cassette in groups of 12 according to the number of jumpers being installed - up to 24 SC connectors or 36 LC connectors. For example, install jumpers 1-12 into the first cutout on the right, as viewed from the back of the cassette.

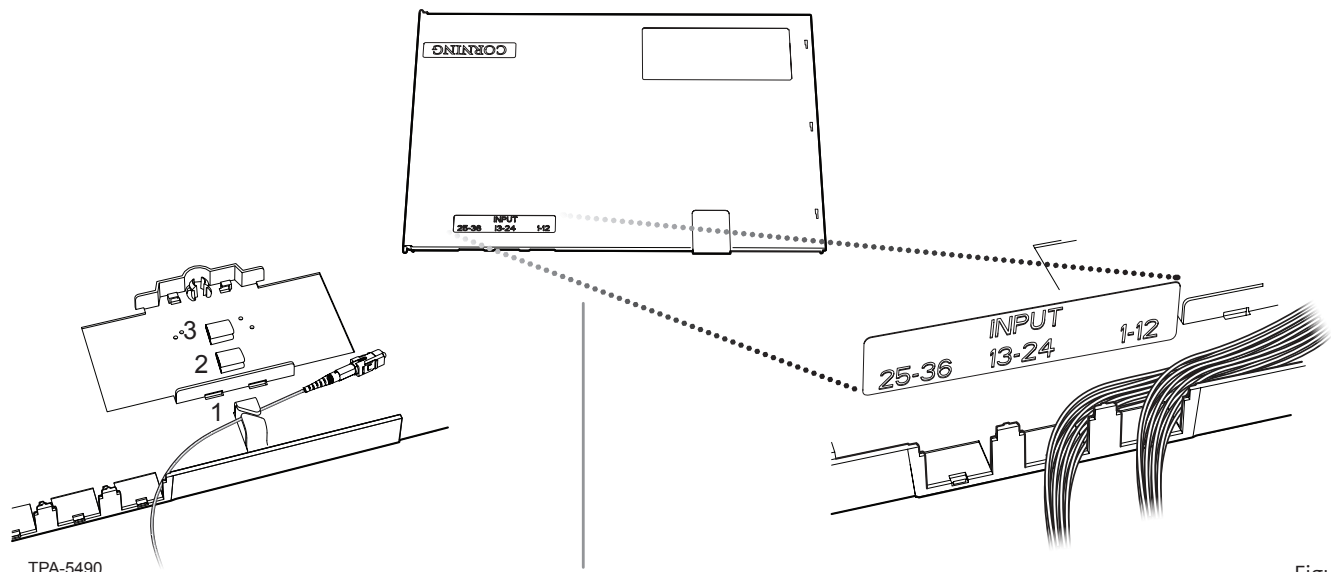


Figure 1

Step 3: Pass the first 12 jumpers through the first guide (Figure 2).

Step 4: Remove dust caps from the rear of the adapters and from the connectors. Clean the connector end faces and adapters per standard company practices or as described in Section 7.

Step 5: Insert the connectors into the rear of the first 12 adapters.

Step 6: Repeat Steps 1 through 5 for additional groups of 12 jumpers as shown in Figure 2.

- a. For jumpers 13-24, use the middle cutout and the middle guide to hold the jumpers.
- b. For jumpers 25-36, use the cutout on the left, as viewed from the back of the cassette, and the third guide to hold the jumpers.

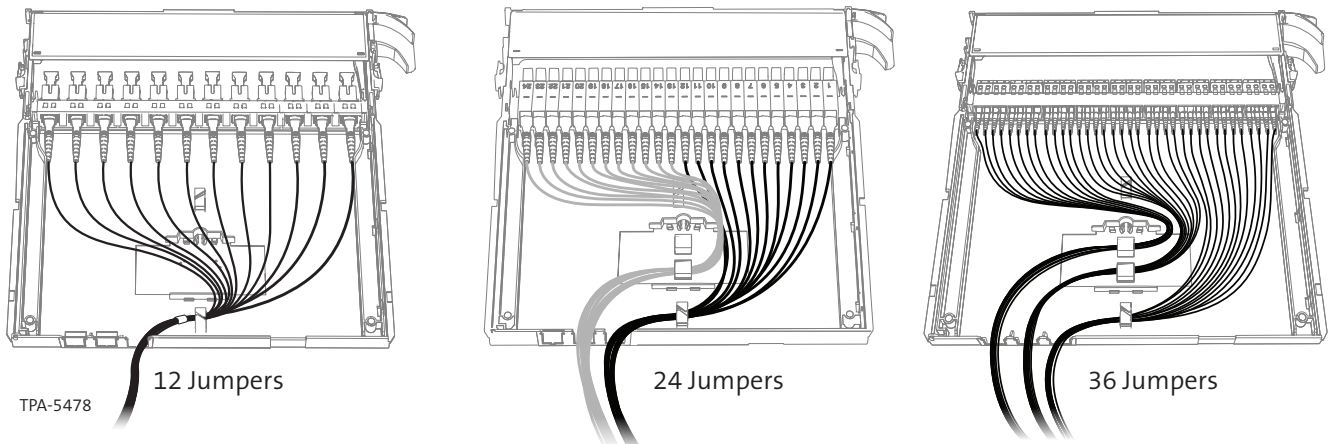


Figure 2

Step 7: Once all jumpers have been installed into the cassette, feed the other end of the input jumpers through to the back of the housing, then slide the cassette into the housing, starting at the top of the housing.

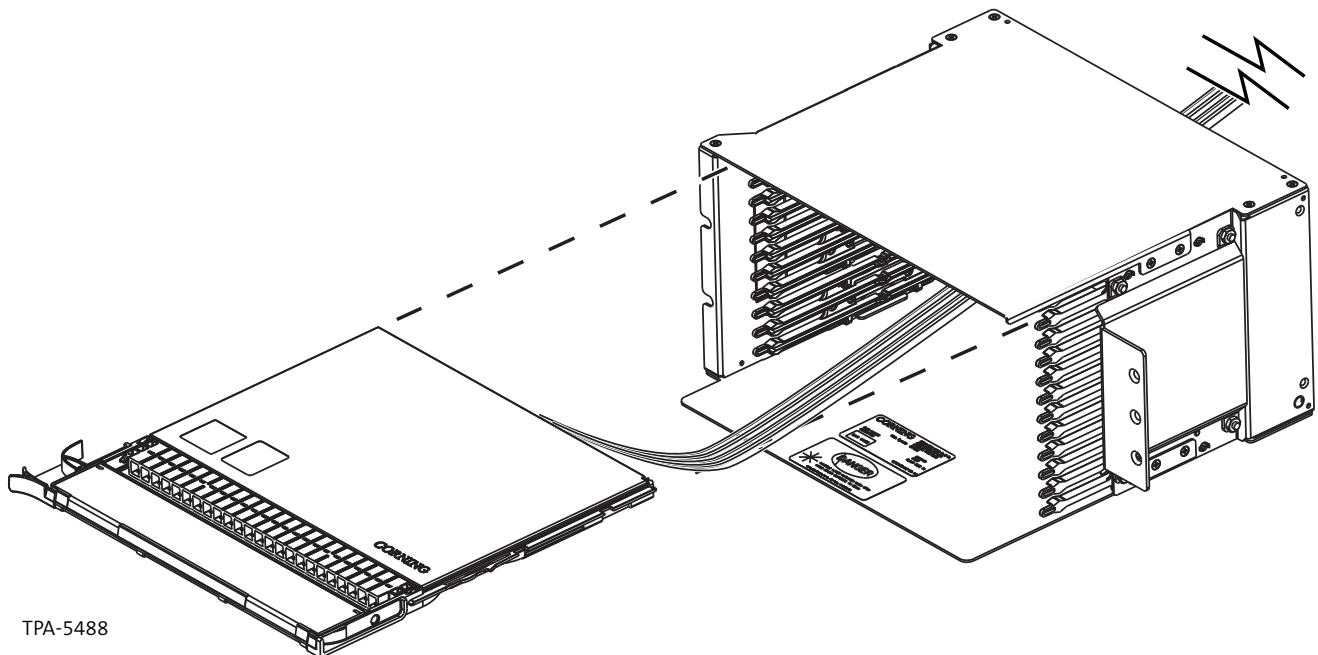


Figure 3

Step 8: Continue loading cassettes from the top to the bottom of the housing until it is full.

Step 9: If desired, attach up to four strain-relief brackets (CTX-KIT-SR-SA) to the housing as shown in Figure 4.

- a. Route the jumpers to the strain-relief brackets and secure them with 1/3 x 6-in hook-and-loop straps (provided).
- b. Dress the jumpers with a service loop as shown in Figure 4 to provide slack to allow the cassette to be extracted to the detent position.

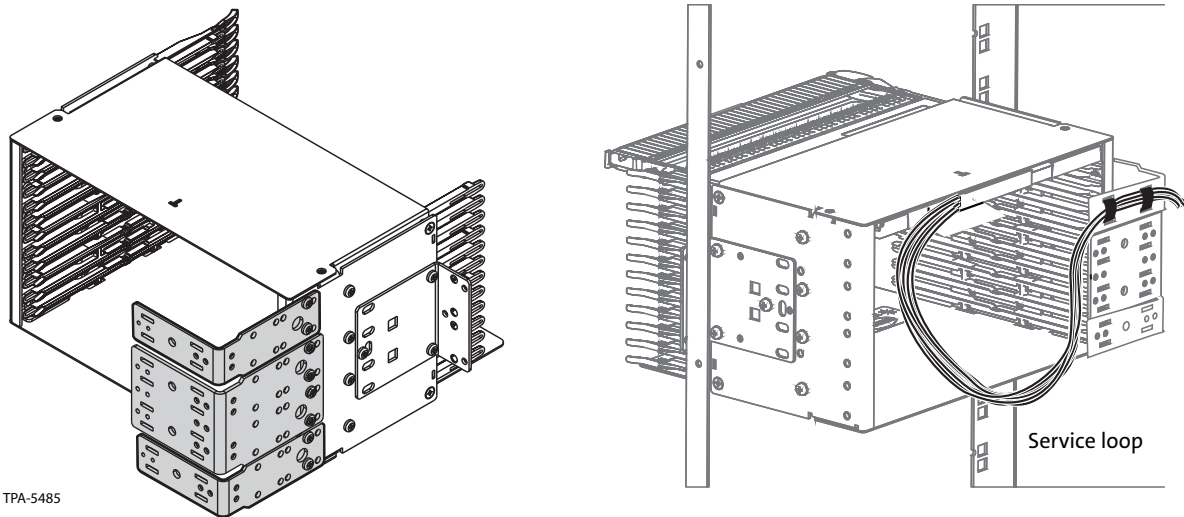


Figure 4

5. Installation of Front-Access Cassettes in Front-Access Frame

5.1 Front-Access Cassettes with Left-Hand Input Jumper Feed

Front-access cassettes with left-hand input jumper feed can be installed into front-access Centrix frames, 19-in racks, and 23-in frames. Install the jumpers into the front-access cassettes, following the numbering scheme on the drop handle label (Figure 5).

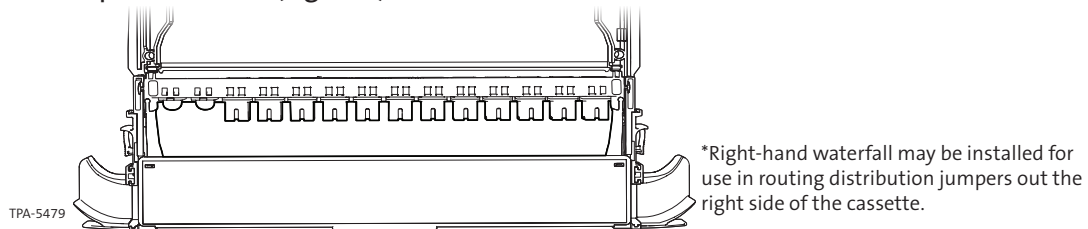


Figure 5

Step 1: In a 19-in rack or 23-in frame installation only, distribution jumpers may be routed out either side of the cassette to their destination. If routing jumpers to the right, install right-hand waterfall kit (CTX-KIT-RT-DH) to support the jumpers (Figure 6).

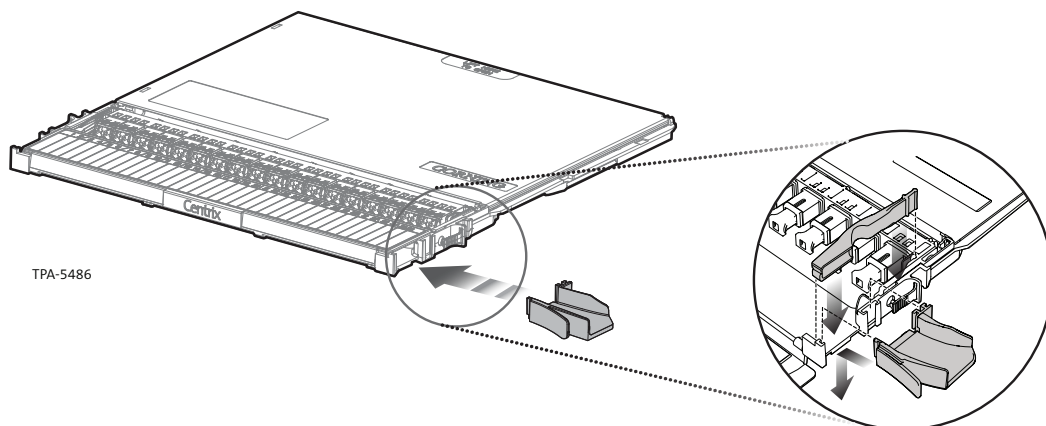


Figure 6

Step 2: Open the cover of the cassette.

Step 3: Remove the appropriate number of plugs from the input area.

Step 4: Feed one end of each jumper through the opening in the front of the cassette (Figure 8). In a 24-port cassette, install eight jumpers per input. In a 12-port cassette, install 6 jumpers per input.

Step 5: Remove dust caps from the rear of the adapters and from the connectors. Clean the connector end faces and adapters per standard company practices or as described in Section 7.

Step 6: Insert the connectors into the rear of the adapters.

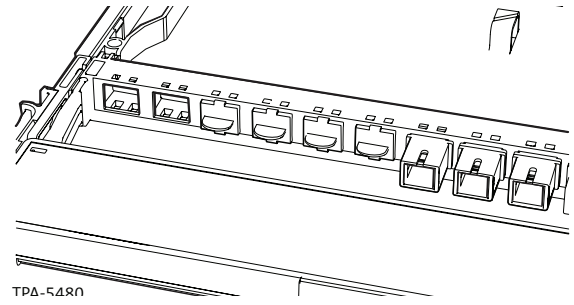
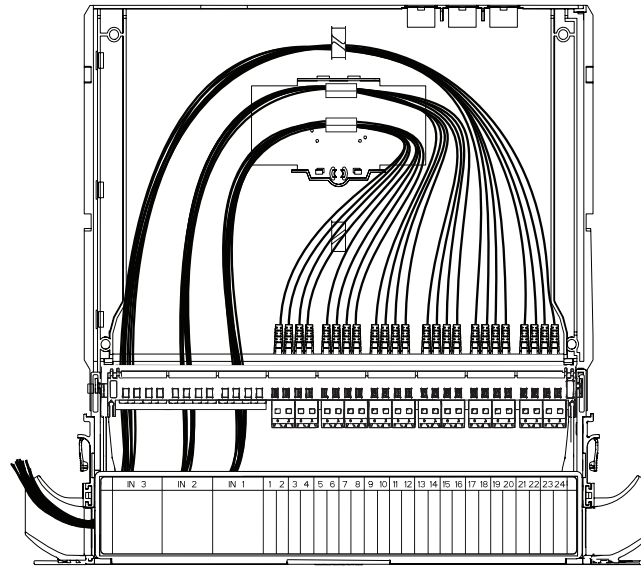


Figure 7

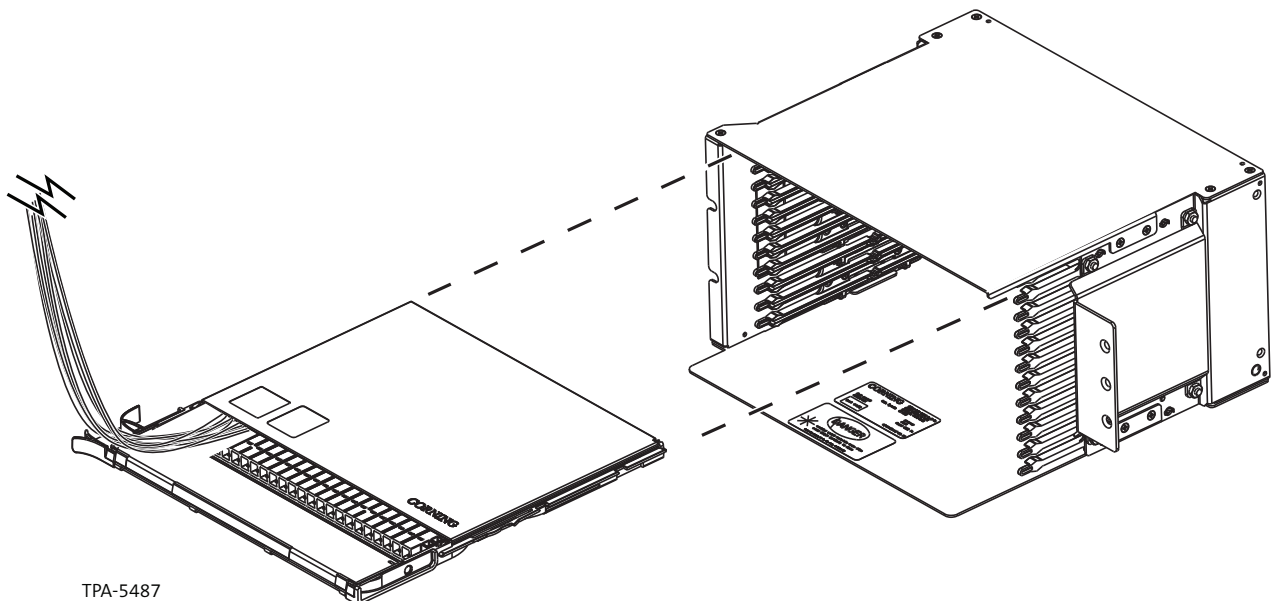


TPA-5481

Figure 8

Step 7: Once all jumpers have been installed into the cassette, slide the cassette into the housing, starting at the top.

Step 8: Continue loading cassettes from the top to the bottom of the housing until it is full.

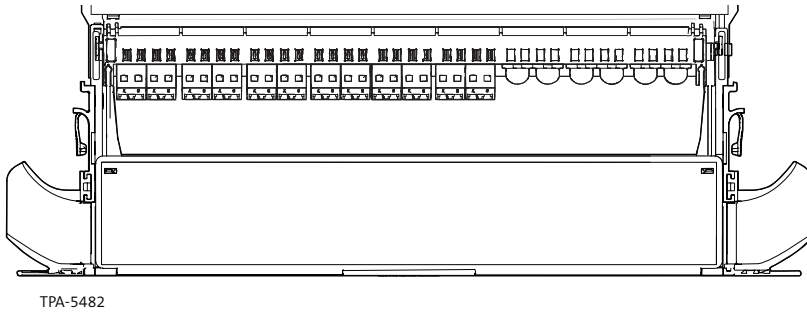


TPA-5487

Figure 9

5.2 Front-Access Cassettes with Right-Hand Input Jumper Feed

Front-access cassettes with right-hand input jumper feed can only be installed into 19-in racks and 23-in frames, not into a Centrix frame. Install the jumpers into the front-access cassettes, following the numbering scheme on the drop handle label (Figure 10).



*Right-hand waterfall may be installed for use in routing distribution jumpers out the right side of the cassette.

Figure 10

Step 1: In a 19-in rack or 23-in frame installation only, distribution jumpers may be routed either side of the cassette to their destination. If routing jumpers to the right, install the right-hand waterfall kit (CTX-KIT-RT-DH) to support the jumpers (Figure 11).

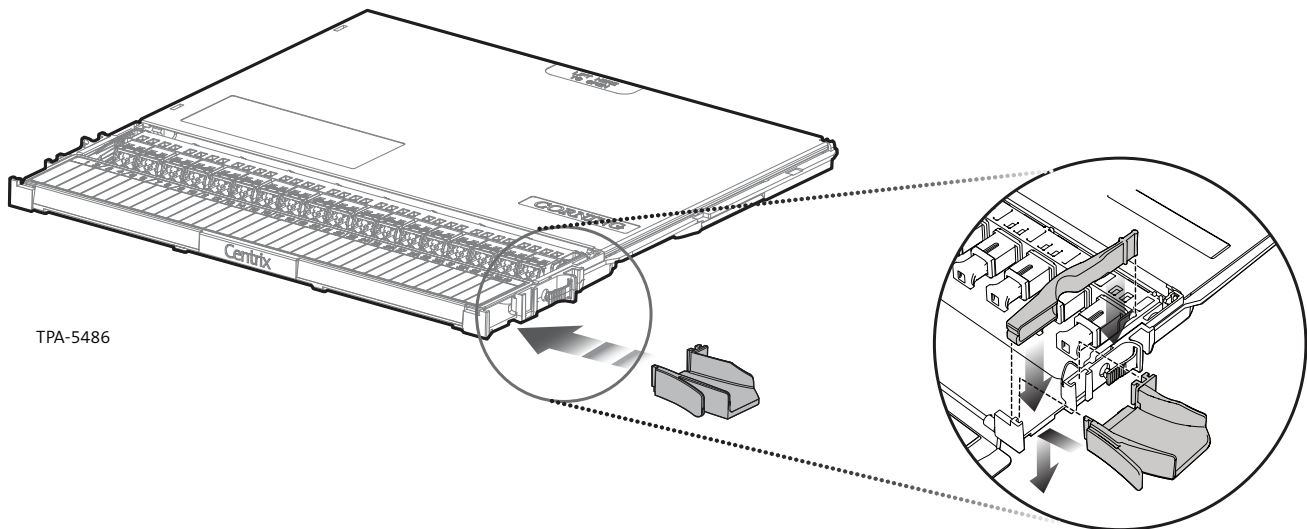


Figure 11

Step 2: Open the cover of the cassette.

Step 3: Remove the appropriate number of plugs from the input area.

Step 4: Feed one end of each input jumper through the opening in the front of the cassette (Figure 13). In a 24-port cassette, install eight jumpers per input. In a 12-port cassette, install six jumpers per input.

Step 5: Remove dust caps from the rear of the adapters and from the connectors. Clean the connector end faces and adapters per standard company practices or as described in Section 7.

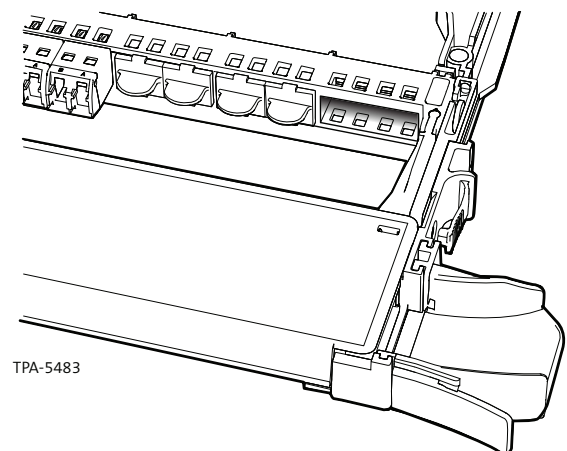
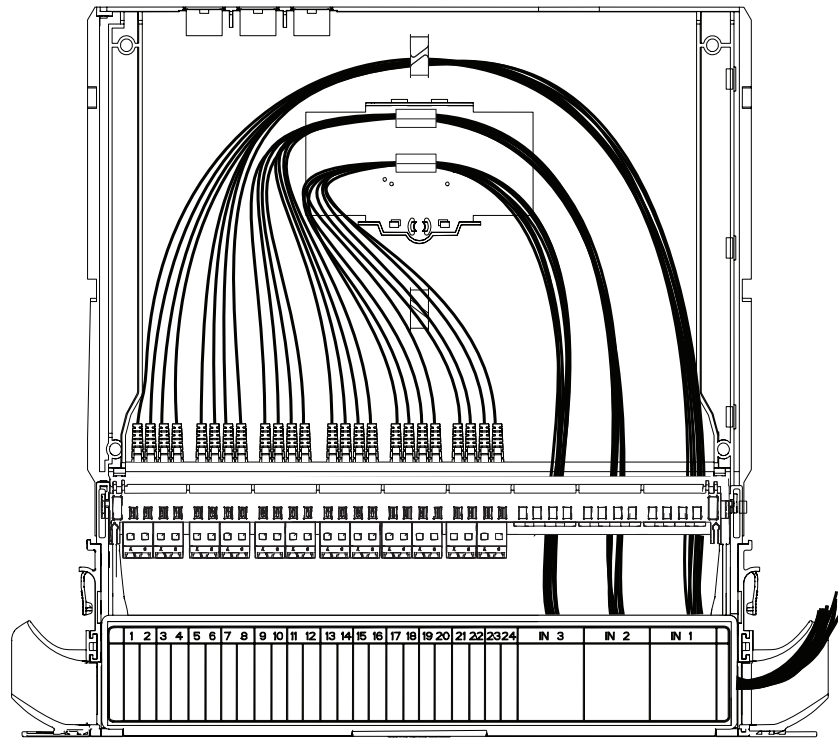


Figure 12

Step 6: Insert the connectors into the rear of the adapters.

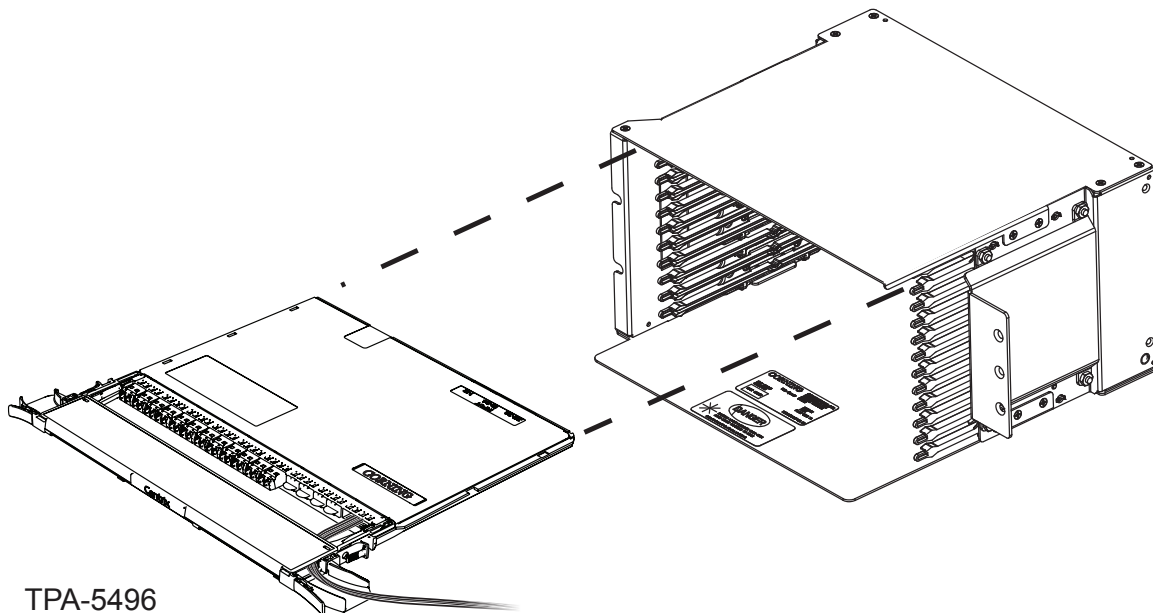


TPA-5484

Figure 13

Step 7: Once all jumpers have been installed into the cassette, slide the cassette into the housing, starting at the top.

Step 8: Continue loading cassettes from the top to the bottom of the housing until it is full.



TPA-5496

Figure 14

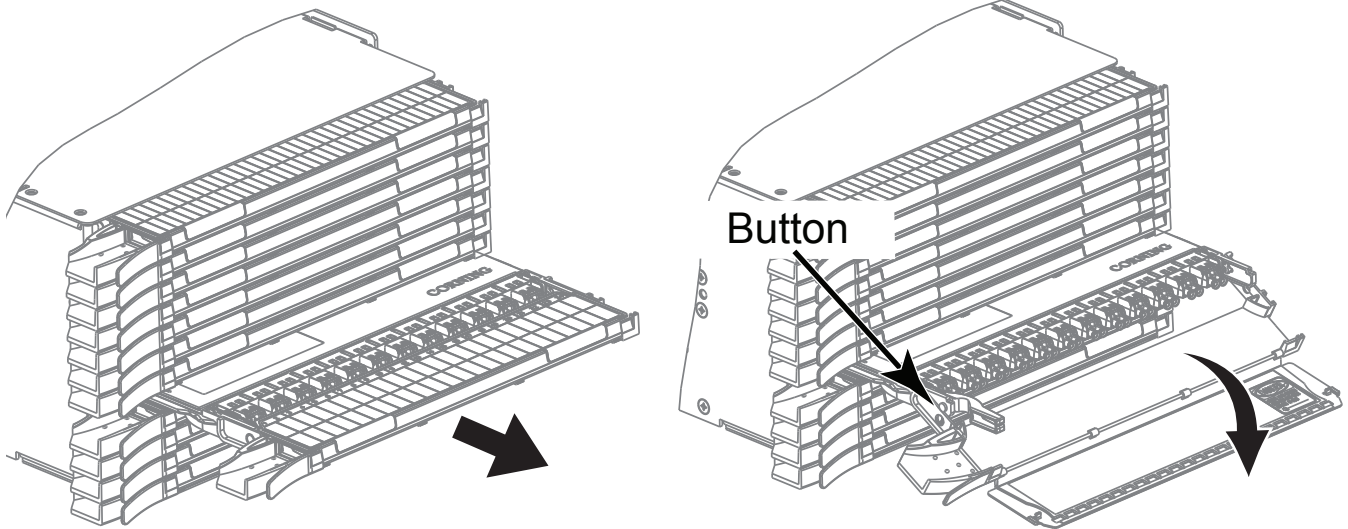
6. Install Distribution Jumpers into the Front of the Cassette

NOTE: Rear-access cassettes are shown in Figures 15 and 16. Distribution jumper routing principals are the same for front-access cassettes.

Step 1: Press latch on right side of cassette and pull cassette out to detent position (Figure 15 left).

Step 2: Press buttons on each side of the cassette and lower the handle.

Step 3: Open the handle cover (Figure 15 right).



TPA-4699

Figure 15

Step 4: Clean adapters and connectors per standard company practices or as described in Section 7. Mate the jumpers (Figure 16 left).

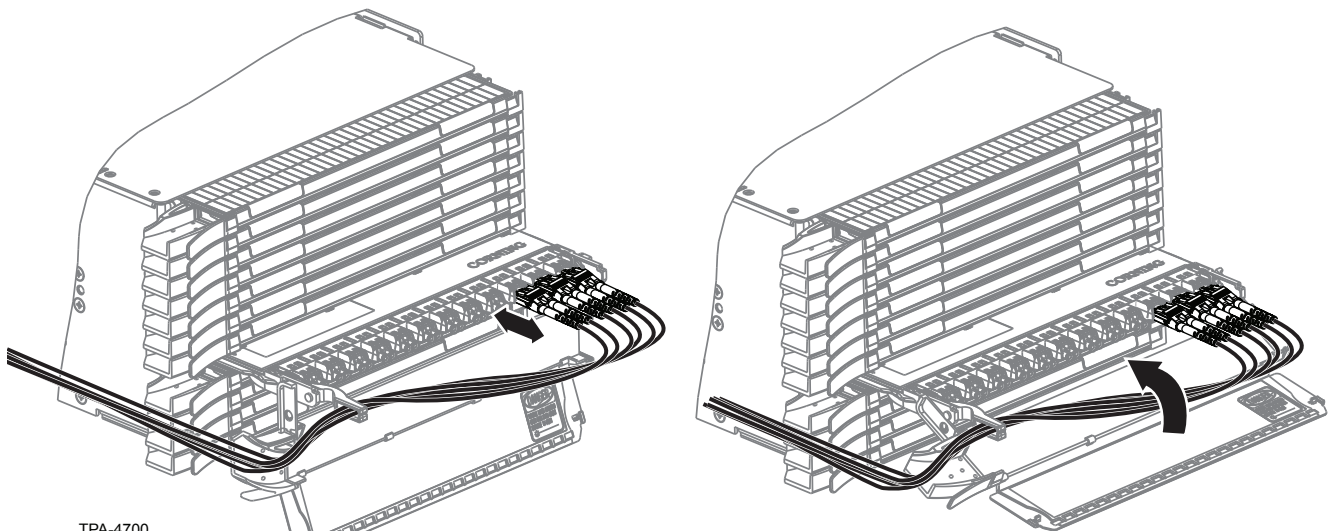
Step 5: Raise handle. Dress jumper cords to the side of the cassette (Figure 16 right).

- In a Centrix™ System frame, jumpers must route out the left side of the cassette.
- In a 19-in rack or a 23-in frame, jumpers may route to the left, to the right, or in both directions. If routing jumpers out the right-hand side of the cassette, install the optional right-hand waterfall kit (CTX-KIT-RT-DH) as shown in Figure 6.

Step 6: Close handle cover.

Step 7: Push cassette back into the housing and dress jumper cords in the frame as described in the installation instruction provided with the housing.



IMPORTANT: Guide fibers while inserting cassette to avoid pinching fibers.



TPA-4700

Figure 16

7. Connector Care and Cleaning

	WARNING: Never look directly into the end of a fiber that may be carrying laser light. Laser light can be invisible and can damage your eyes. Viewing it directly does not cause pain. The iris of the eye will not close involuntarily as when viewing a bright light. Consequently, serious damage to the retina of the eye is possible. Should accidental eye exposure to laser light be suspected, arrange for an eye examination immediately.
	WARNING: Isopropyl alcohol is flammable with a flashpoint at 54°F. It can cause irritation to eyes on contact. In case of contact, flush eyes with water for at least 15 minutes. Inhalation of vapors irritates the respiratory tract. Exposure to high concentrations has a narcotic effect, producing symptoms of dizziness, drowsiness, headache, staggering, unconsciousness, and possibly death.

- Always keep dust caps on connectors and adapters when not in use.
- Ensure dust caps are clean before reuse.
- Use optical cleaning materials as standardized by your company.
- Clean the connector before every mating, especially for test equipment patch cords (jumpers).
- A minimum level of cleaning is listed below. Local procedures may require more rigorous cleaning methods.

Step 1: Remove plugs from the connector adapter.

Step 2: Wipe the connector ferrule twice with a lint-free wiping material moistened with isopropyl alcohol. Then wipe across the end of the ferrule.

Step 3: Repeat previous step with a dry wipe.