

CORNING

Centrix™ XL System Housing Installation into 19- and 23-in Frames

P/N 003-076-AEN, Issue 1

related literature | Search www.corning.com/opcomm. Click on “Resources.”

003-077-AEN	Centrix™ XL Pigtailed Housing with Pigtailed Cassette Installation
003-078-AEN	Centrix XL Stubbed Housing Installation
003-079-AEN	Centrix XL System Jumper Routing Guidelines

1. Carton Contents

- Centrix™ system housing
- Mounting hardware
- Strain-relief bracket

2. Tools and Materials Required

- Phillips screwdriver
- (Optional) Universal cable clamp ((UCC) (UCC-001)
- (Optional) Additional strain-relief bracket with UCC (CTX-KIT-SR-SA-UCC)

3. Installation of the 1RU Housing

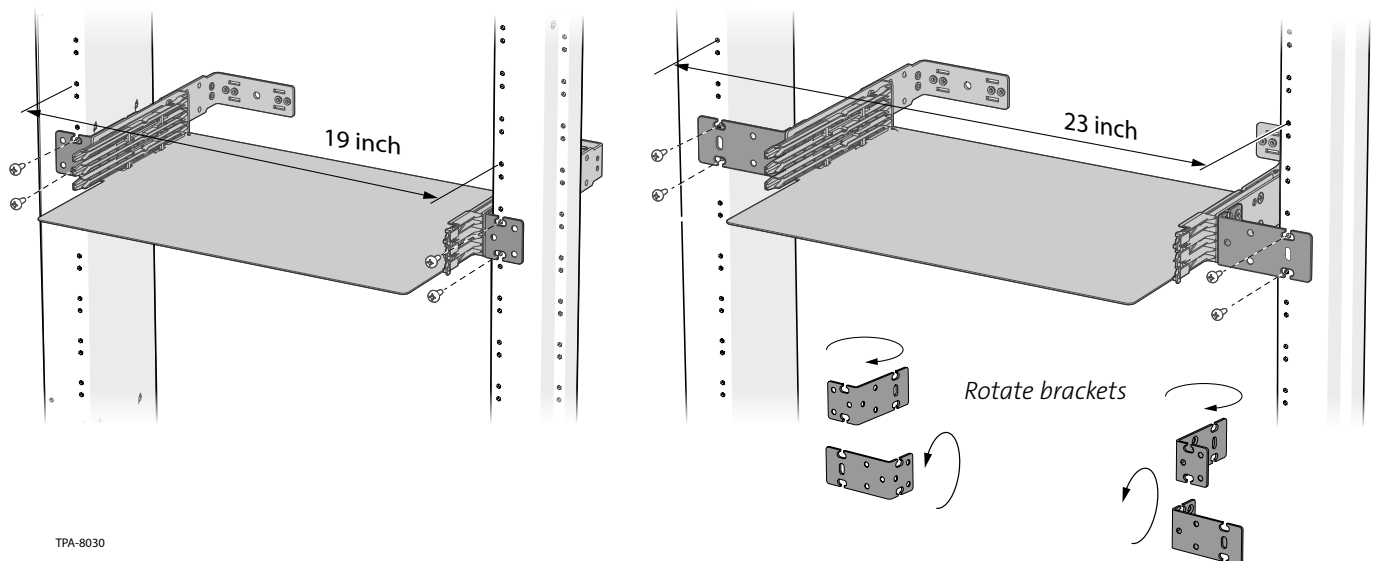
For installation of the Centrix XL 1RU housing into a 19 inch rack:

The rack mounting kit supplied by Corning includes three hardware mounting options:

- 12-24 self tapping screws for standard racks with tapped 12-24 rail mounting hole positions
- 10-32 screws for racks with tapped 10-32 rail mounting positions
- 10-32 cage nut and screw for racks with this feature

For installation of the Centrix XL 1RU housing into a 23 inch rack:

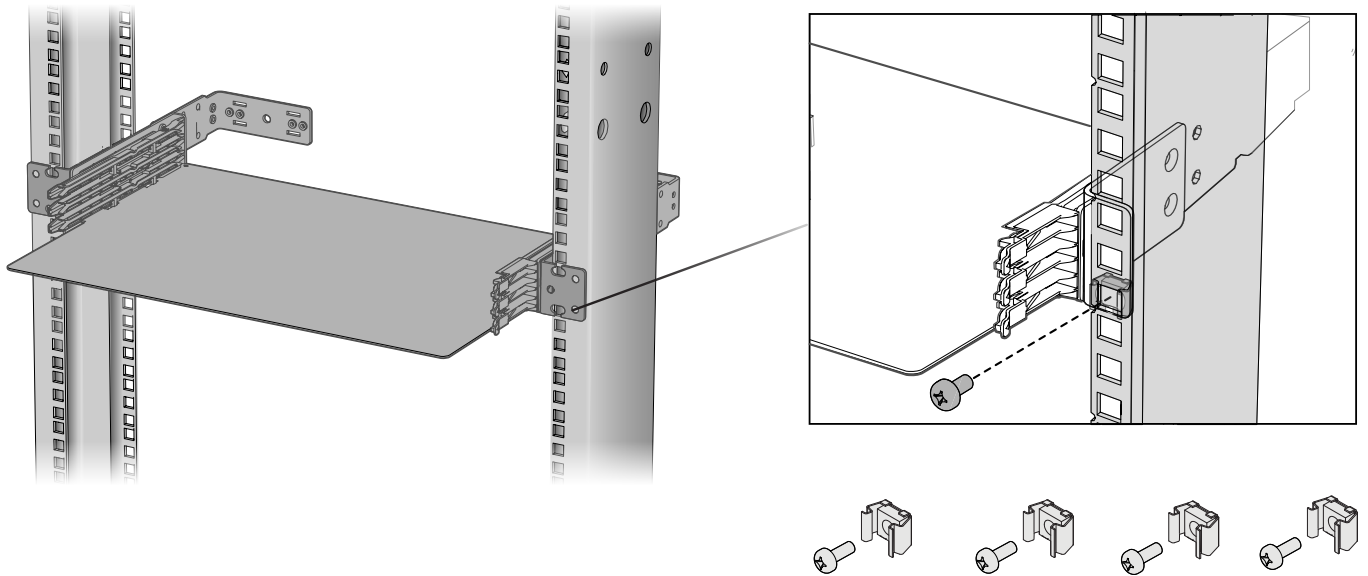
First, remove the mounting brackets that are attached to the housing, reverse the flange as shown below. Using the same mounting screws, mount the brackets in the 23-inch rack position and install into the rack.



TPA-8030

3.1 Installation of the 1RU housings

For installation of the Centrix™ XL System 1RU housings into a 19 inch or 23 inch rack: 10-32 cage nut and screw for the racks with this feature.

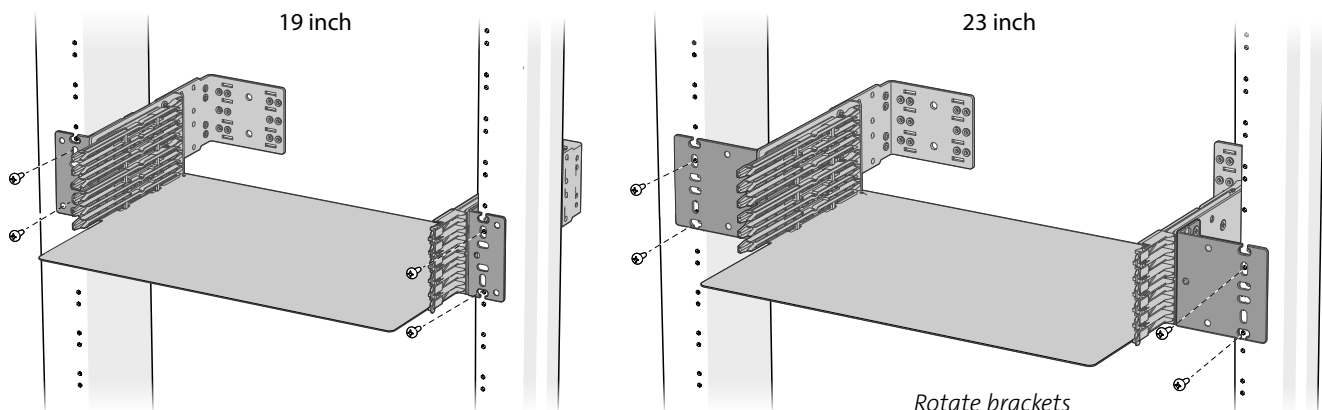


TPA-8031

3.2 Installation of the 2RU housings

Refer to the installation instructions below for Centrix XL system 2, 4 or 8RU housings into 19 and 23 inch racks.

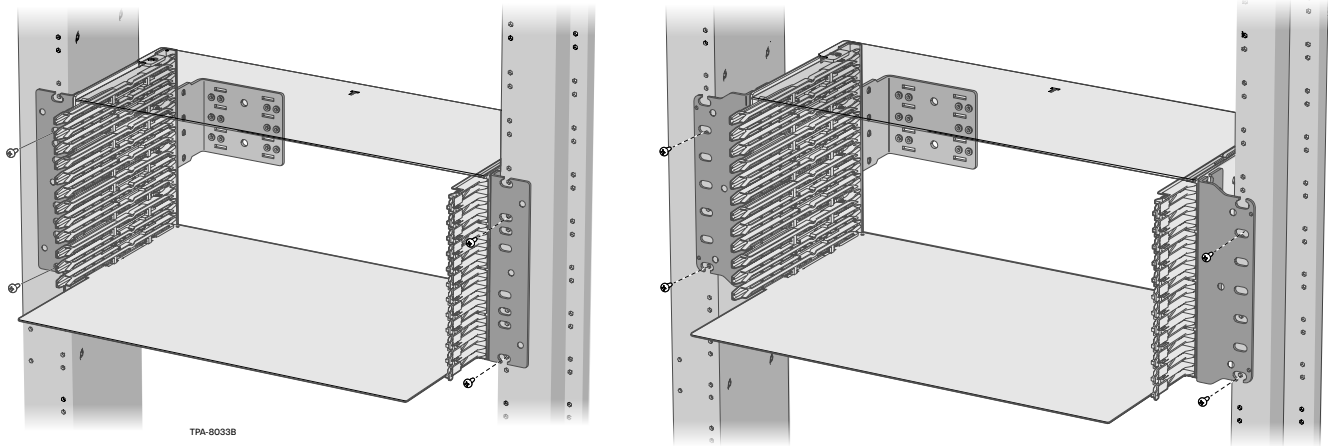
For installation of the Centrix XL system 2RU housings into a 19 inch or 23 inch rack: Use the mounting screws supplied with the housings.



TPA-8032

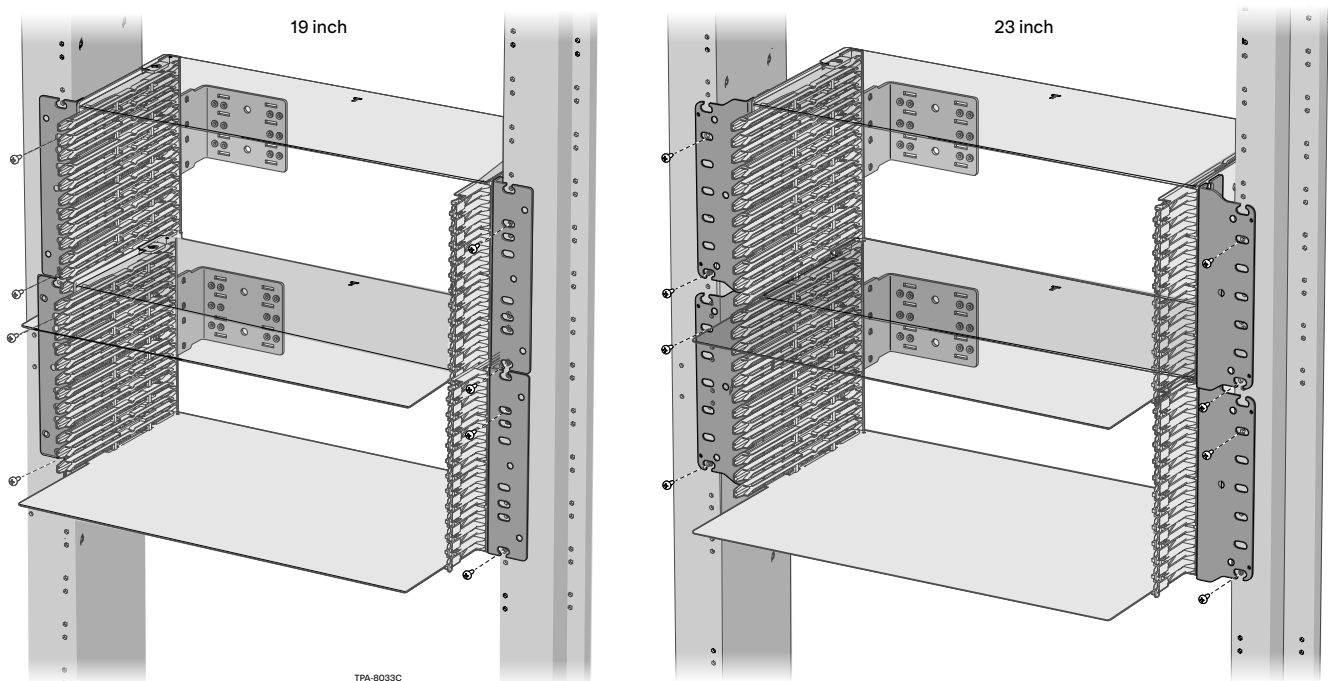
3.3 Installation of the 4RU housings

For installation of the Centrix™ XL system 4RU housings into a 19 inch or 23 inch rack:
Use the mounting screws supplied with the housings.



3.4 Installation of the 8RU housings

For installation of the Centrix XL system 8RU housings into a 19 Inch or 23 inch rack:
Use the mounting screws supplied with the housings.



Corning Optical Communications LLC • 4200 Corning Place • Charlotte, NC 28216 USA
800-743-2675 • FAX: 828-325-5060 • International: +1-828-901-5000 • Corning.com/opcomm

Corning Optical Communications reserves the right to improve, enhance, and modify the features and specifications of Corning Optical Communications products without prior notification. A complete listing of the trademarks of Corning Optical Communications is available at www.corning.com/opcomm/trademarks. All other trademarks are the properties of their respective owners. Corning Optical Communications is ISO 9001 certified. © 2024 Corning Optical Communications. All rights reserved.