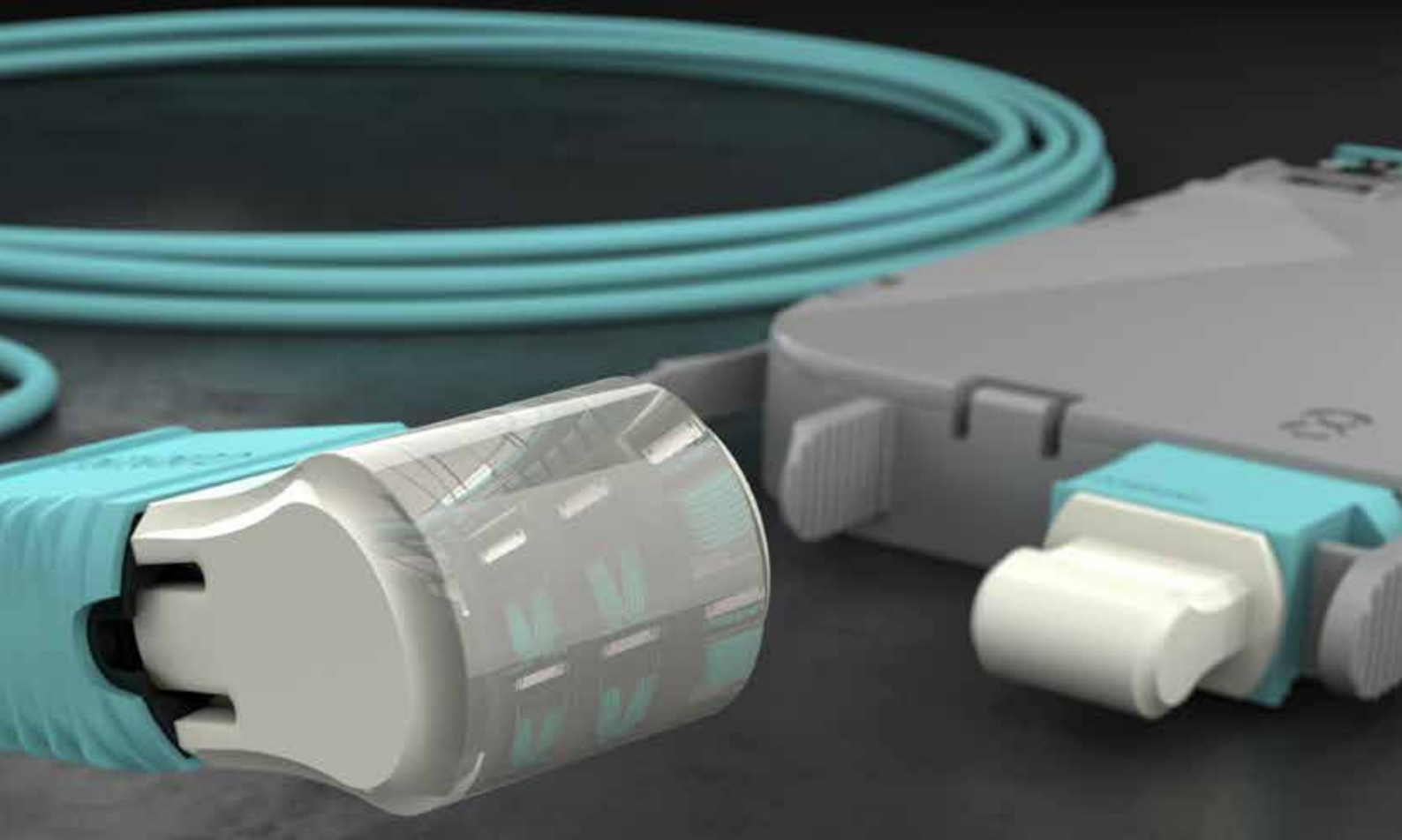


CORNING



400G Cabling For Cisco QSFP-DD

Reference Guide

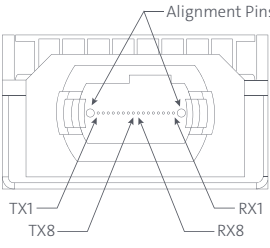
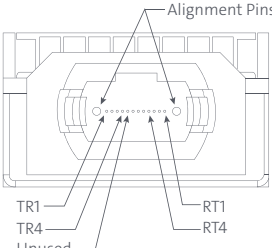
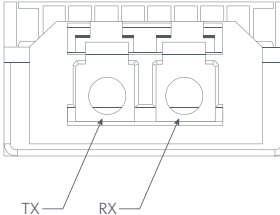
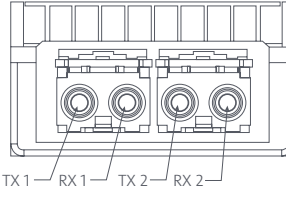
Guide
Public

This document will serve as a guide to select the best Corning Optical Communications bill-of-materials (BOM) for your structured cabling application (scenario).

Cisco transceiver connector types:

Cisco optical transceiver modules have different connector types (See Cisco Transceiver and Cable Guide). With the introduction of 400G, new form factors have been introduced including multimode 16-F MPO angled and single-mode CS® connectors.

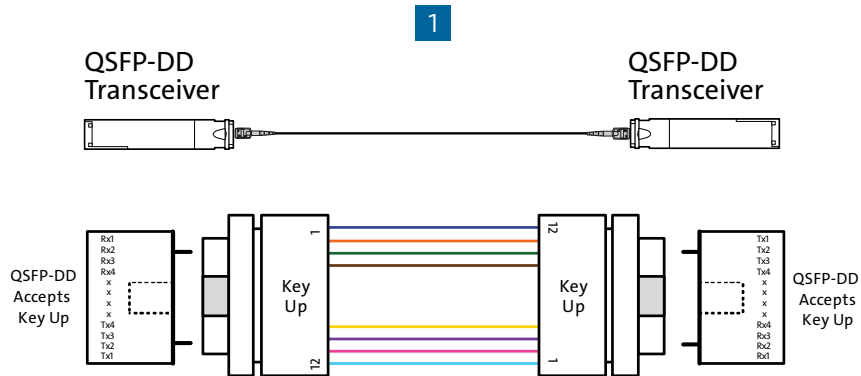
The following is a partial list of Cisco transceivers by connector type:

MPO-16	MPO-8/12	LC Duplex	CS® Duplex
QDD-400G-SR8-S	QDD-400G-DR4-S QDD-4X100G-FR-S	QDD-400G-FR4-S	QDD-2X100-CWDM4-S QDD-2X100-LR4-S
 <p>Alignment Pins TX1 TX8 RX1 RX8</p>	 <p>Alignment Pins TR1 TR4 Unused RT1 RT4</p>	 <p>TX RX</p>	 <p>TX 1 RX 1 TX 2 RX 2</p>
400GBASE-SR8 Parallel transceiver Multimode	QDD-400G-DR4-S and QDD-4X100G-FR-S Parallel transceivers, single-mode; both can breakout to four QSFP-100G-FR-S modules. QDD-4X100G-FR-S supports 2 km reach.	400GBASE-FR4 Duplex transceiver, single-mode	QDD-2X100-CWDM4-S and QDD-2X100-LR4-S are dual-duplex 100G transceivers, single-mode; can breakout to two QSFP-100G-CWDM4-S and two QSFP-100G-LR4-S, respectively.

Scenario 1:

QSFP-DD to QSFP-DD Local

400G-DR4 to 400G-DR4

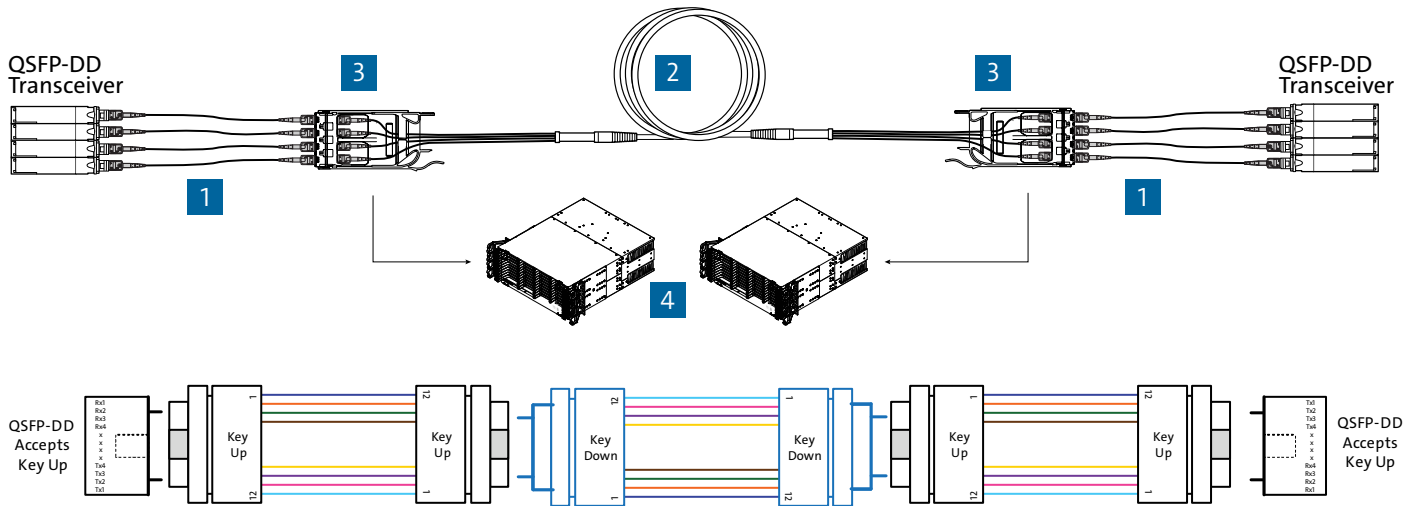


Item	OS2 Part Number Base-8 (NAFTA)	OS2 Part Number Base-8 (EMEA and APJ)	Description
1	JE8E808GE8-NBxxxF	JE8E808GEZ-NBxxxM	EDGE8® MTP® (non-pinned) to MTP (non-pinned) 8-F Jumper, TIA-568 Type-B polarity, xxx ft or xxxM

Note: NAFTA uses plenum cable and EMEA/APJ uses LSZH™ cable.
This jumper is the same as the recommended jumper for 100G PSM4.

Scenario 2:

QSFP-DD to QSFP-DD Across DC With Trunk 400G-DR4 to 400G-DR4



Item	OS2 Part Number (NAFTA)	OS2 Part Number (EMEA and APJ)	Description
1	JE8E808GE8-NBxxxF	JE8E808GEZ-NBxxxM	EDGE8®, MTP® (non-pinned) to MTP (non-pinned), 8-F Jumper, TIA-568 Type-B polarity, xxx ft or xxxM
2	GE7E732GPNDUxxxF*	GE7E732GLZDDUxxxM*	EDGE8 Trunk Cable, MTP connector (pinned) to MTP connector (pinned), 32 F, with 33/33-in legs, pulling grip one side, xxx ft or xxxM
3	EDGE8-CP32-V1	EDGE8-CP32-V1	EDGE8 32-F MTP Adapter Panel, (4-port)
4	EDGE8-xxU	EDGE8-xxU	Please refer to Annex 1 to choose the best option for your application

Note: NAFTA uses plenum/riser cable and EMEA/APJ uses LSZH™ cable.

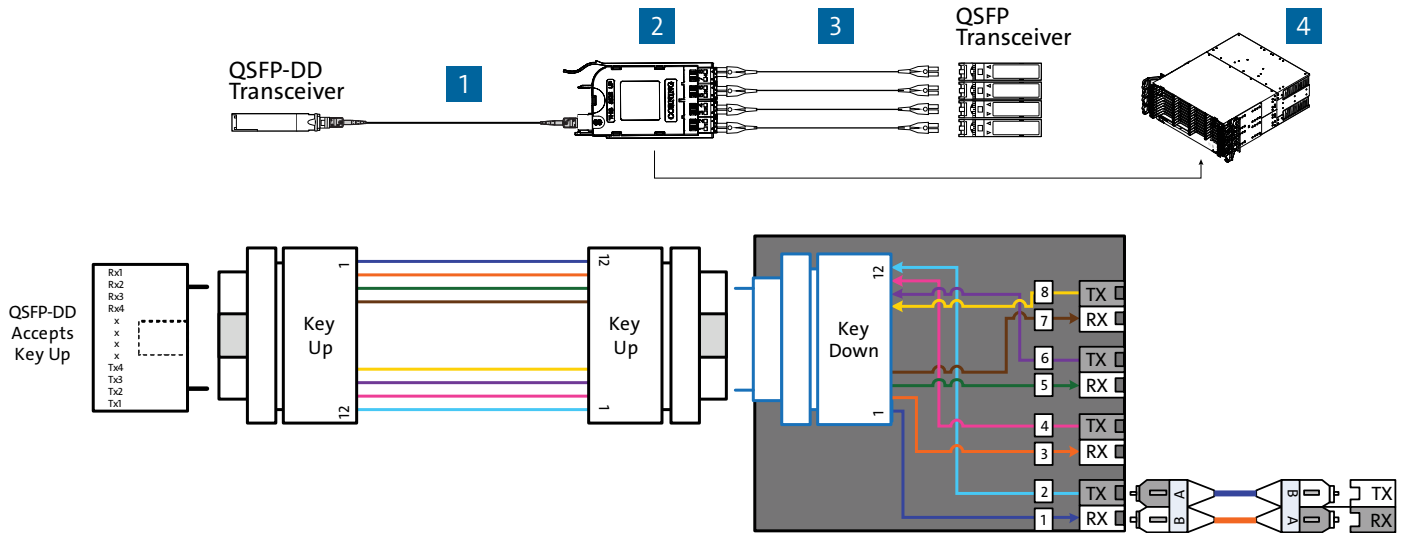
These cabling components are the same as the recommended cabling components for 100G PSM4.

*Trunks available in fibre counts of 8 fibre to 288 fibre or higher.

Scenario 3:

QSFP-DD to QSFP Local

400G-DR4 to 4 x 100G-DR/FR



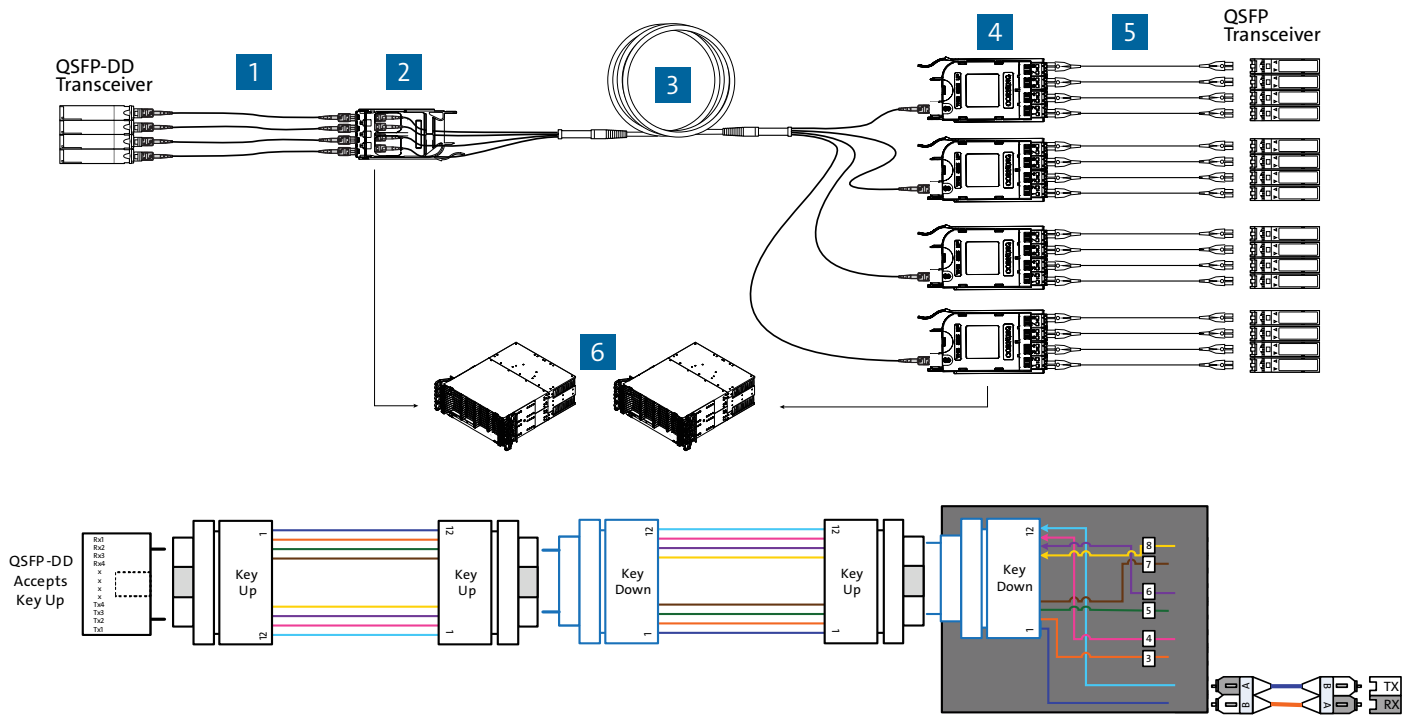
Item	OS2 Part Number (NAFTA)	OS2 Part Number (EMEA and APJ)	Description
1	JE8E808GE8-NBxxxF	JE8E808GEZ-NBxxxM	EDGE8 [®] MTP [®] (non-pinned) to MTP (non-pinned) 8-F Jumper, TIA-568 Type-B polarity, xxx ft or xxxM
2	ECM8-UM08-04-E7G-ULL	ECM8-UM08-04-E7G-ULL	EDGE8 Ultra-Low-Loss LC Duplex to MTP (pinned) Module, 8-F module
3	787802GD120xxxF	E787802GNZ20xxxM	EDGE [™] LC Uniboot to LC Uniboot Duplex Jumper, xxx ft or xxxM
4	EDGE8-xxU	EDGE8-xxU	Please refer to Annex 1 to choose the best option for your application

Note: NAFTA uses plenum/riser cable and EMEA/APJ uses LSZH[™] cable.
These cabling components are the same as the recommended cabling components for 100G PSM4.

Scenario 4:

QSFP-DD to QSFP Across DC with Trunk

400G-DR4 to 4 x 100G-DR/FR



Item	OS2 Part Number (NAFTA)	OS2 Part Number (EMEA and APJ)	Description
1	JE8E808GE8-NBxxxF	JE8E808GEZ-NBxxxM	EDGE8® MTP® (non-pinned) to MTP (non-pinned) 8-F Jumper, TIA-568 Type-B polarity, xxx ft or xxxM
2	EDGE8-CP32-V1	EDGE8-CP32-V1	EDGE8 4-Port MPO Connector Panel
3	GE7E832GPNDPxxxF*	GE7E832GLZDDPxxxM*	EDGE8 Trunk Cable, MTP connector (pinned) to MTP connector (non-pinned), 32 F, with 33/33-in legs, Type-A polarity, pulling grip one side, xxx ft or xxxM
4	ECM8-UM08-04-E7G-ULL	ECM8-UM08-04-E7G-ULL	EDGE8 Ultra-Low-Loss Module, LC duplex to MTP (pinned), 8 F
5	787802GD120xxxF	E787802GNZ20xxxM	EDGE™ LC Uniboot to LC Uniboot Duplex Jumper, xxx ft or xxxM
6	EDGE8-xxU	EDGE8-xxU	Please refer to Annex 1 to choose the best option for your application

Note: NAFTA uses plenum/riser cable and EMEA/APJ uses LSZH™ cable.

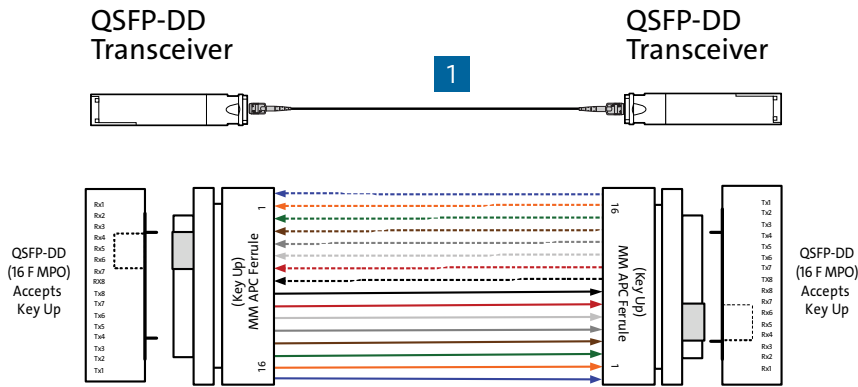
These cabling components are the same as the recommended cabling components for 100G PSM4.

*Trunks available in fibre counts of 8 fibre to 288 fibre or higher.

Scenario 5:

QSFP-DD to QSFP-DD Local

400G-SR8 to 400G-SR8



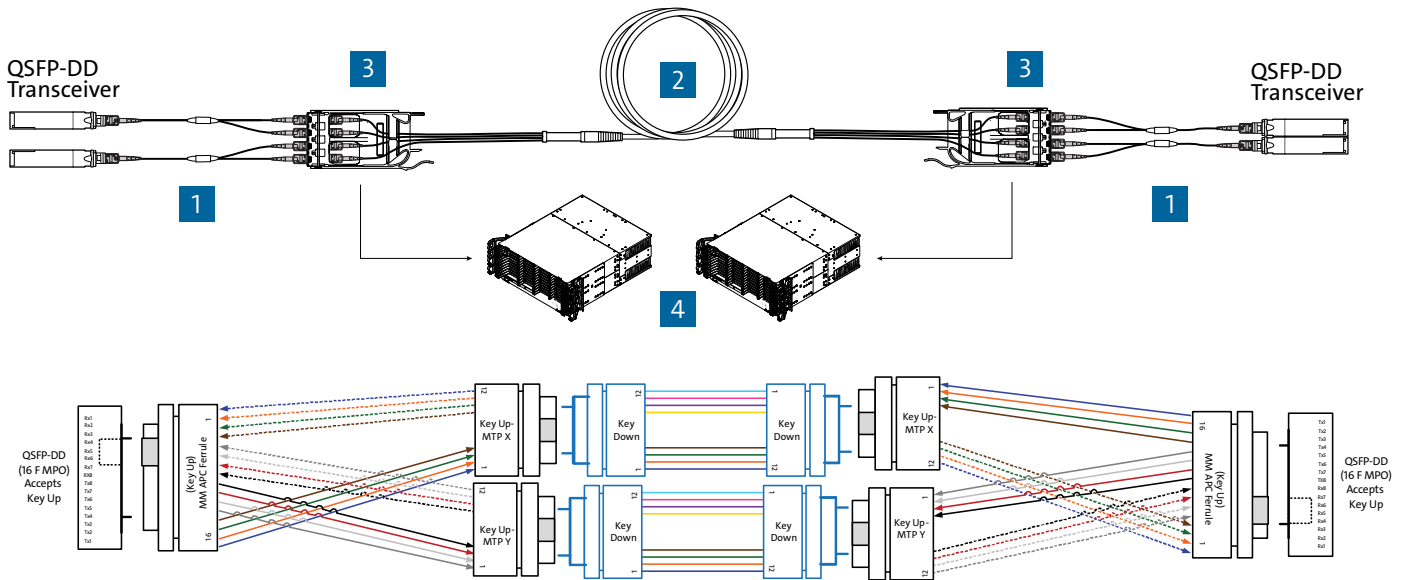
Item	OM4 Part Number (NAFTA - Plenum)	OM4 Part Number (EMEA and APJ - LSZH™)	Description
1	753-BB96-0RxxxF	753-BB96-0LxxxM	MTP® Angled (non-pinned) to MTP Angled (non-pinned) 16-F Jumper, TIA-568 Type-B polarity, xxxM

Note: NAFTA uses plenum/riser cable and EMEA/APJ uses LSZH™ cable.

Scenario 6:

QSFP-DD to QSFP-DD Across DC with Trunk

400G-SR8 to 400G-SR8



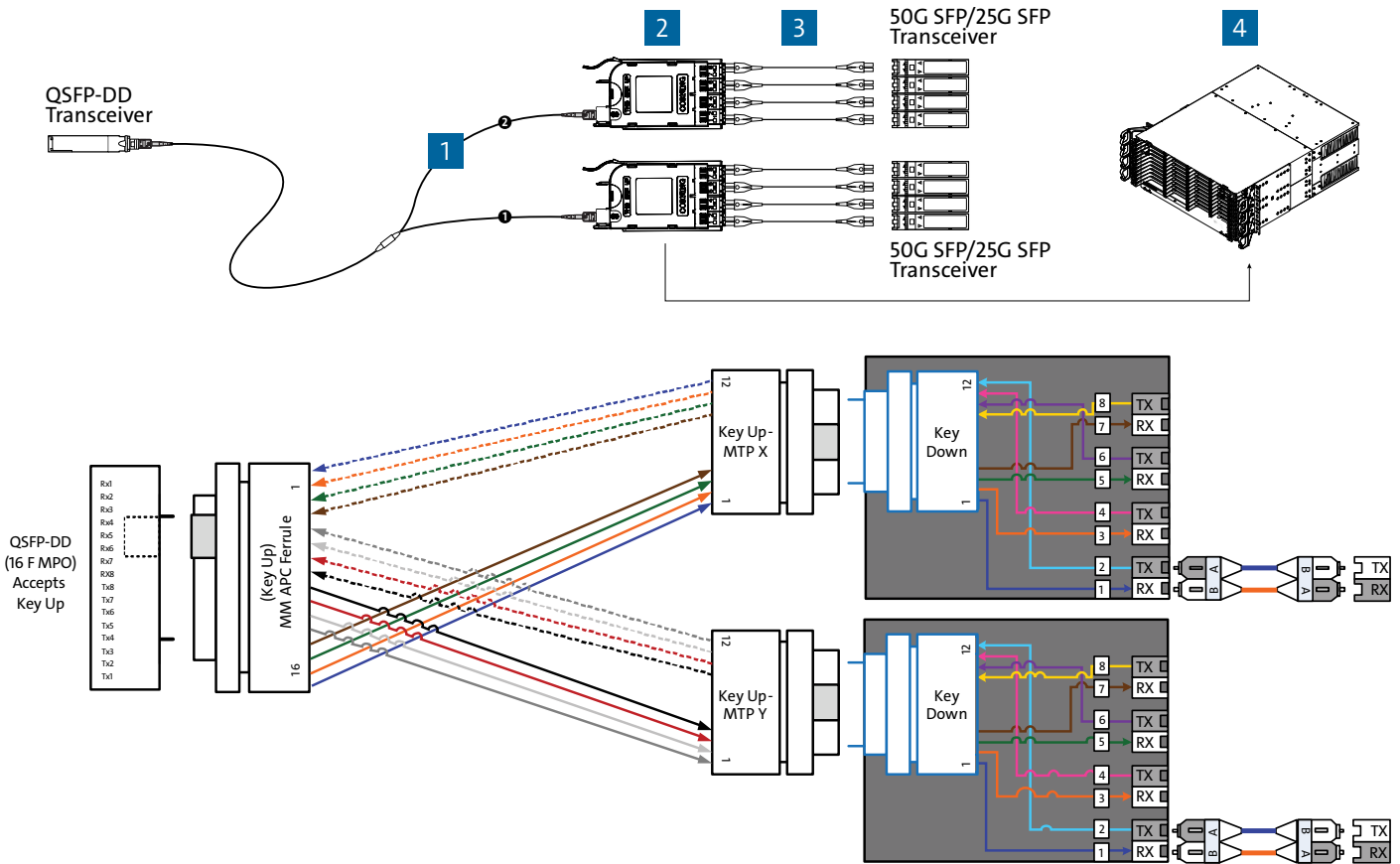
Item	OM4 Part Number (NAFTA - Plenum)	OM4 Part Number (EMEA and APJ - LSZH)	Description
1	753-BB96-ARxxxM	753-BB96-ALxxxM	16-F Y-Jumper, MM/OM4, 16-F MTP [®] angled (non-pinned) to two 8-F (non-pinned) MTPs, 1 m breakout leg length, Type-B polarity, 3 mm cable, xxxM
3	EDGE8-CP32-V3	EDGE8-CP32-V3	EDGE8 [®] 32-F MTP Adapter MM/OM4 Panel, (4-port)
2	GE5E532QPNDUxxxF*	GE5E532QLZDDUxxxM*	EDGE8 MTP Trunk, 50 μm multimode (OM4), 32-F, MTP 8-F (pinned) to MTP 8-F (pinned), pulling grip one side, xxx ft or xxxM
4	EDGE8-xxU	EDGE8-xxU	Please refer to Annex 1 to choose the best option for your application

Note: NAFTA uses plenum/riser cable and EMEA/APJ uses LSZH™ cable.
*Trunks available in fibre counts of 8 fibres to 288 fibres or higher.

Scenario 7:

QSFP-DD to SFP Local

400G-SR8 to 8 x 50G-SR (or 25G-SR)

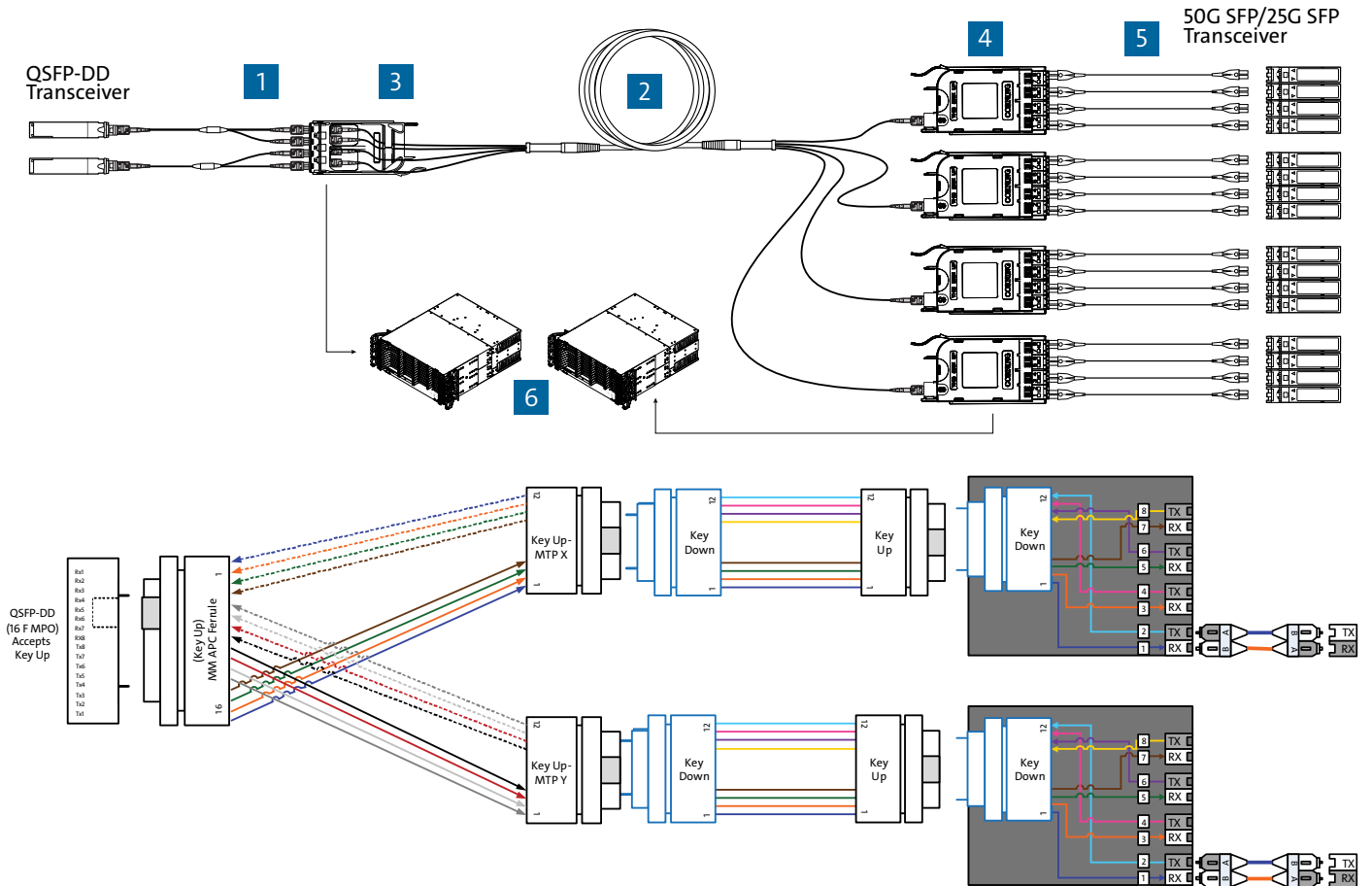


Item	OM4 Part Number (NAFTA - Plenum)	OM4 Part Number (EMEA and APJ - LSZH™)	Description
1	753-BB96-ARxxxM	753-BB96-ALxxxM	16-F Y-Jumper, MM/OM4, 16-F MTP® angled (non-pinned) to two 8-F (non-pinned) MTPs, 1 m breakout leg length, Type-B polarity, 3 mm cable, xxxM
2	ECM8-UM08-05-E5Q-ULL	ECM8-UM08-05-E5Q-ULL	EDGE8® Ultra-Low-Loss MM/OM4 Module, LC duplex to MTP (pinned), 8 F
3	797902QD120xxxF	E797902QNZ20xxxM	EDGE™ LC Uniboot to LC Uniboot Duplex MM/OM4 Jumper, xxx ft or xxxM
4	EDGE8-xxU	EDGE8-xxU	Please refer to Annex 1 to choose the best option for your application

Note: NAFTA uses plenum/riser cable and EMEA/APJ uses LSZH™ cable.

Scenario 8:

QSFP-DD to SFP Across DC with Trunk 400G-SR8 to 8 x 50G-SR (or 25G-SR)



Item	OM4 Part Number (NAFTA - Plenum)	OM4 Part Number (EMEA and APJ - LSZH*)	Description
1	753-BB96-ARxxxM	753-BB96-ALxxxM	16-F Y-Jumper, MM/OM4, 16-F MTP° angled (non-pinned) to two 8-F (non-pinned) MTPs, 1 m breakout leg length, Type-B polarity, 3 mm cable, xxxM
3	EDGE8-CP32-V3	EDGE8-CP32-V3	EDGE8° 32-F MTP Adapter MM/OM4 Panel, (4-port)
2	GE5E632QPNDPxxxF*	GE5E632GLZDDPxxxM*	EDGE8 MTP Trunk, 50 µm multimode (OM4), 32-F, MTP (pinned) 8-F to MTP (unpinned) 8-F, TIA-568 Standard Type-A polarity, pulling grip one side, xxx ft or xxxM
4	ECM8-UM08-05-E5Q-ULL	ECM8-UM08-05-E5Q-ULL	EDGE8 Ultra-Low-Loss MM/OM4 Module, LC duplex to MTP (pinned), 8 F
5	797902QD120xxxF	E797902QNZ20xxxM	EDGE™ LC Uniboost to LC Uniboost Duplex MM/OM4 Jumper, xxx ft or xxxM
6	EDGE8-xxU	EDGE8-xxU	Please refer to Annex 1 to choose the best option for your application

Note: NAFTA uses plenum/riser cable and EMEA/APJ uses LSZH cable.

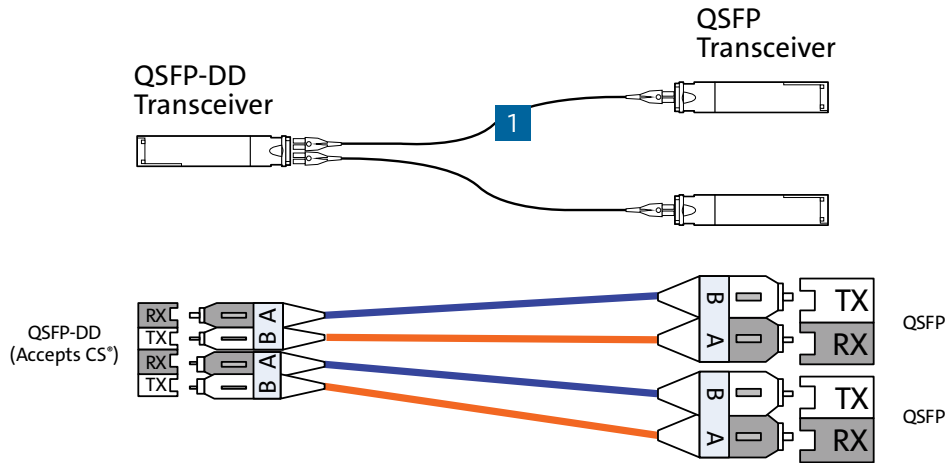
*Trunks available in fibre counts of 8 fibre to 288 fibre or higher.

Scenario 9:

QSFP-DD to QSFP Local

QDD-2X100-CWDM4-S to 2x QSFP-100G CWDM4-S

QDD-2X100-LR4-S to 2x QSFP-100G-LR4-S



Item	OS2 Part Number (NAFTA - Plenum)	OS2 Part Number (EMEA and APJ)	Description
1	CS7802GD120xxxM	CS7802GNZ20xxxM	2-F Jumper, duplex CS [®] UPC to LC UPC uniboot, 2.0 mm cable, xxxM

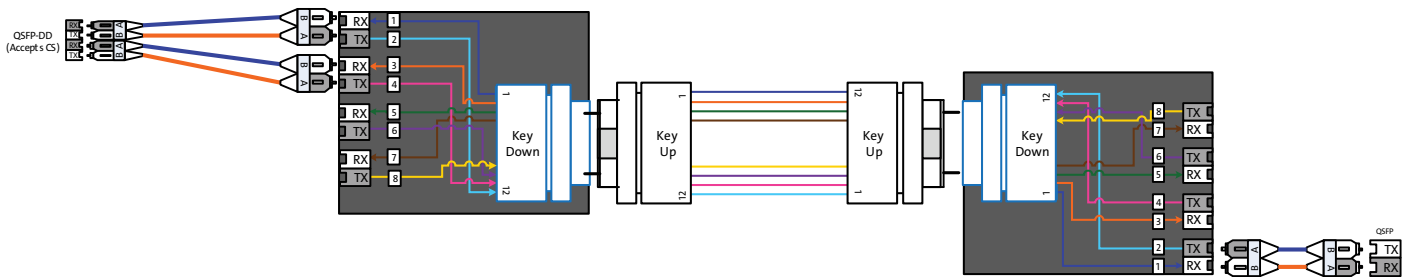
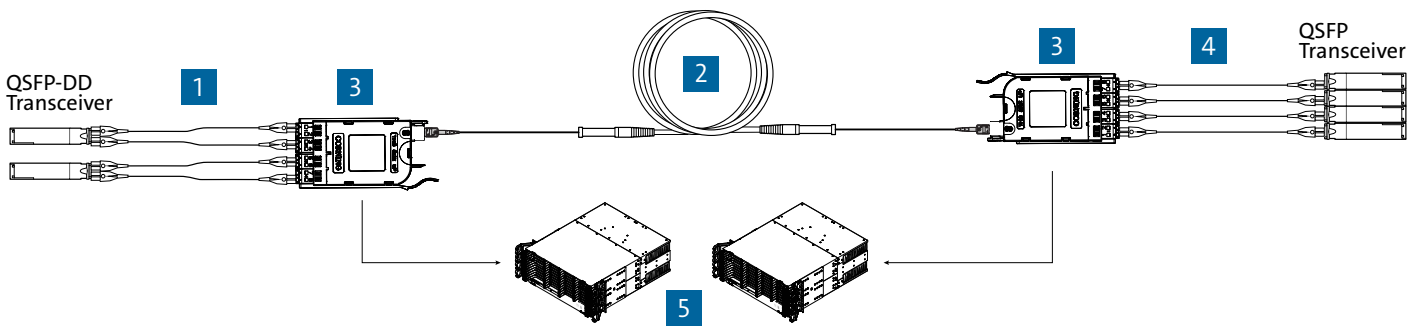
Note: NAFTA uses plenum/riser cable and EMEA/APJ uses LSZH cable.

Scenario 10:

QSFP-DD to QSFP Across DC with Trunk

QDD-2X100-CWDM4-S to 2x QSFP-100G-CWDM4-S

QDD-2X100-LR4-S to 2x QSFP-100G-LR4-S





Item	OS2 Part Number (NAFTA)	OS2 Part Number (EMEA and APJ)	Description
1	CS7802GD120xxxM	CS7802GNZ20xxxM	2-F Jumper, duplex CS [®] UPC to LC UPC uniboot, 2.0 mm cable, xxxM
2	GE7E708GPNDUxxxF*	GE7E708GLZDDUxxxM*	EDGE8 [®] Trunk Cable, MTP [®] connector (pinned) to MTP connector (pinned), 8 F, with 33/33 inch legs, pulling grip one side, xxx ft or xxxM
3	ECM8-UM08-04-E8G-ULL	ECM8-UM08-04-E8G-ULL	EDGE8 Ultra-Low-Loss Module, LC duplex to MTP (pinned), 8 F
4	787802GD120xxxF	E787802GNZ20xxxM	EDGE [™] LC Uniboot to LC Uniboot Duplex Jumper, xxx ft or xxxM.
5	EDGE8-xxU	EDGE8-xxU	Please refer to Annex 1 to choose the best option for your application

Note: NAFTA uses plenum/riser cable and EMEA/APJ uses LSZH[™] cable.

Annex 1

EDGE8® HD housings mount in 19-in racks or cabinets and provide industry-leading ultra-high-density connectivity when combined with EDGE8 modules, panels, harnesses, trunks, and patch cords.

As each customer and project has specific needs, please add the housing that best suits your needs to the BOM:

	Part Number (Global)	Maximum Number of Modules or Panels	Maximum Fibre Density		Height
	EDGE8-01U-SP	18	LC MPO	144 fibres 576 fibres	1U
	EDGE8-02U	36	LC MPO	288 fibres 1152 fibres	2U
	EDGE8-04U	72	LC MPO	576 fibres 2304 fibres	4U



CORNING

Corning Optical Communications LLC • 4200 Corning Place • Charlotte, NC 28216 USA
800-743-2675 • FAX: 828-325-5060 • International: +1-828-901-5000 • www.corning.com/opcomm

Corning Optical Communications reserves the right to improve, enhance, and modify the features and specifications of Corning Optical Communications products without prior notification. A complete listing of the trademarks of Corning Optical Communications is available at www.corning.com/opcomm/trademarks. All other trademarks are the properties of their respective owners. Corning Optical Communications is ISO 9001 certified. © 2020 Corning Optical Communications. All rights reserved. LAN-2658-A4-BEN / February 2020