

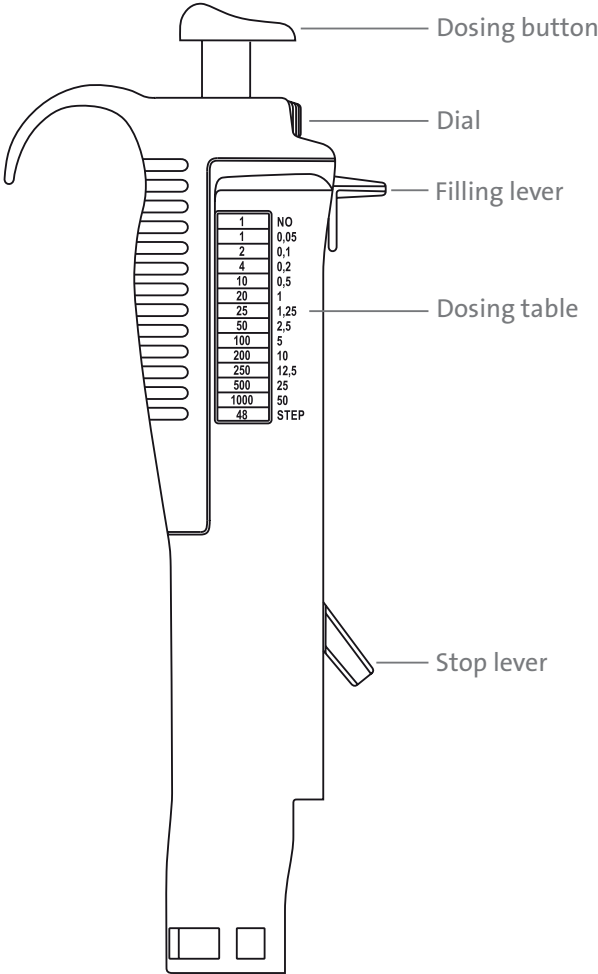
Corning® Step-R™ Repeating Pipettor



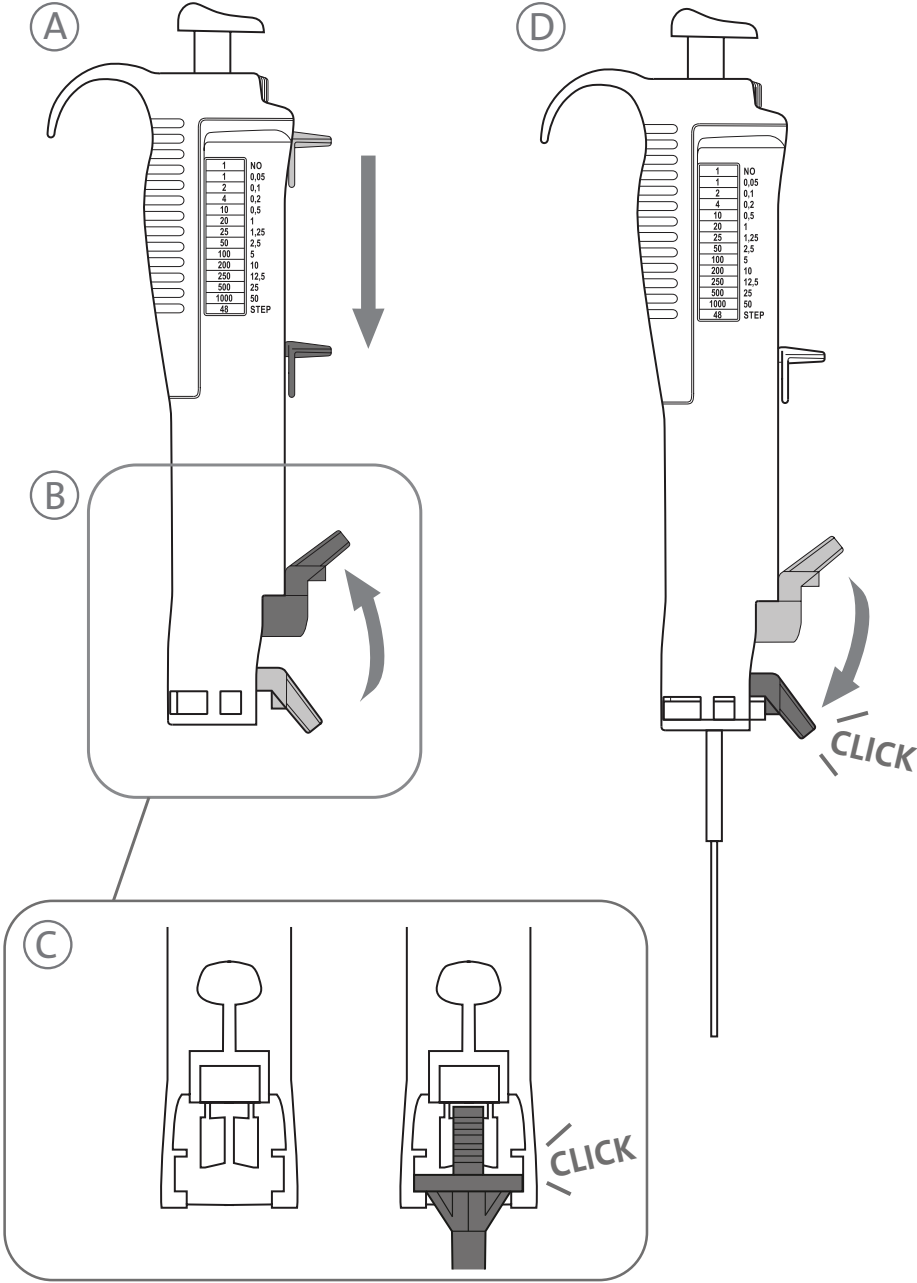
Quick Start Guide

Catalog Numbers 4217 and 6636

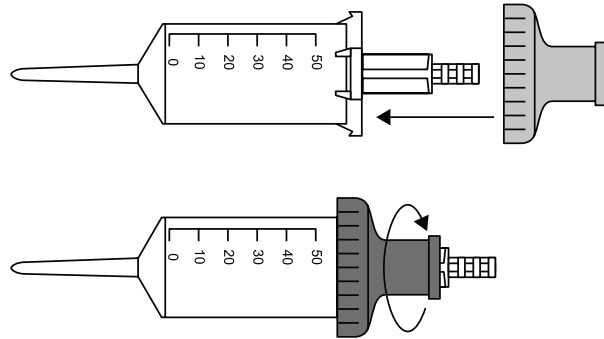
1. Operating Elements



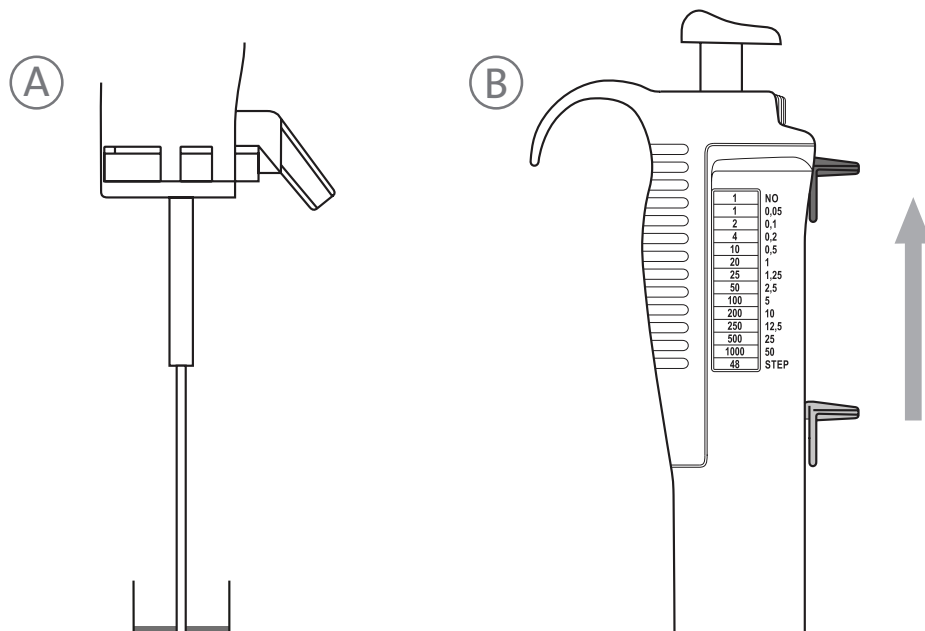
2. Inserting the Syringe Tip



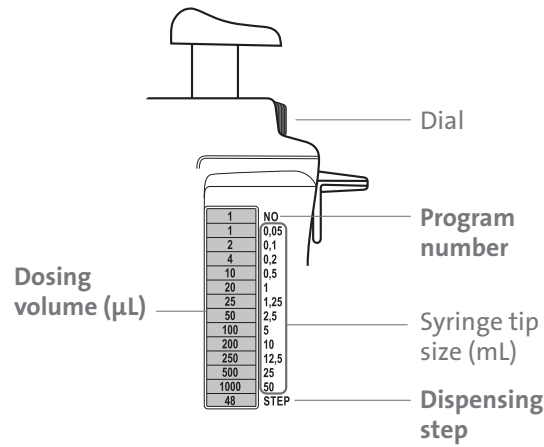
3. Adapter (25 mL and 50 mL syringe tips only)



4. Filling the Syringe Tip

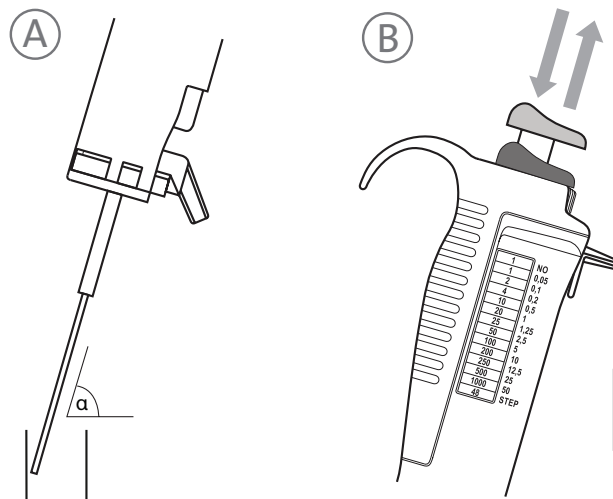


5. Volume Check



Example:
Program number 1 (NO) dispenses exactly 100 µL in 48 dosing steps (STEP) when a 5 mL syringe tip is used.

6. Dispensing



Important:
The first and the last step must be discarded.

For more specific information on claims, visit the Certificates page at www.corning.com/lifesciences.

Warranty/Disclaimer: Unless otherwise specified, all products are for research use only. Not intended for use in diagnostic or therapeutic procedures. Corning Life Sciences makes no claims regarding the performance of these products for clinical or diagnostic applications.

CORNING

Corning Incorporated
Life Sciences

836 North St.
Building 300, Suite 3401
Tewksbury, MA 01876
t 800.492.1110
t 978.442.2200
f 978.442.2476

www.corning.com/lifesciences

For additional product or technical information, visit www.corning.com/lifesciences or call 800.492.1110. Outside the United States, call +1.978.442.2200 or contact your local Corning sales office.

For a listing of trademarks, visit www.corning.com/clstrademarks. All other trademarks are the property of their respective owners.